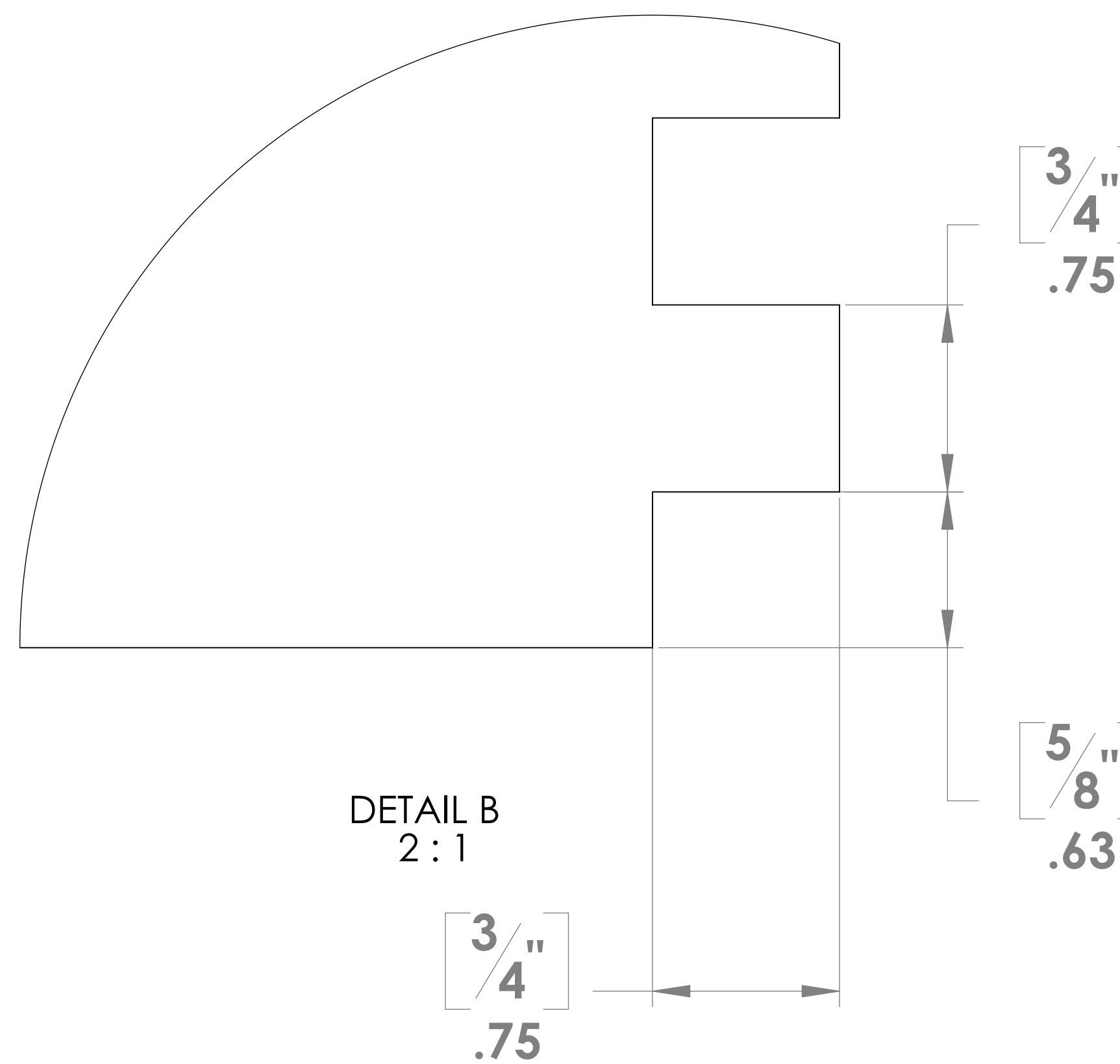
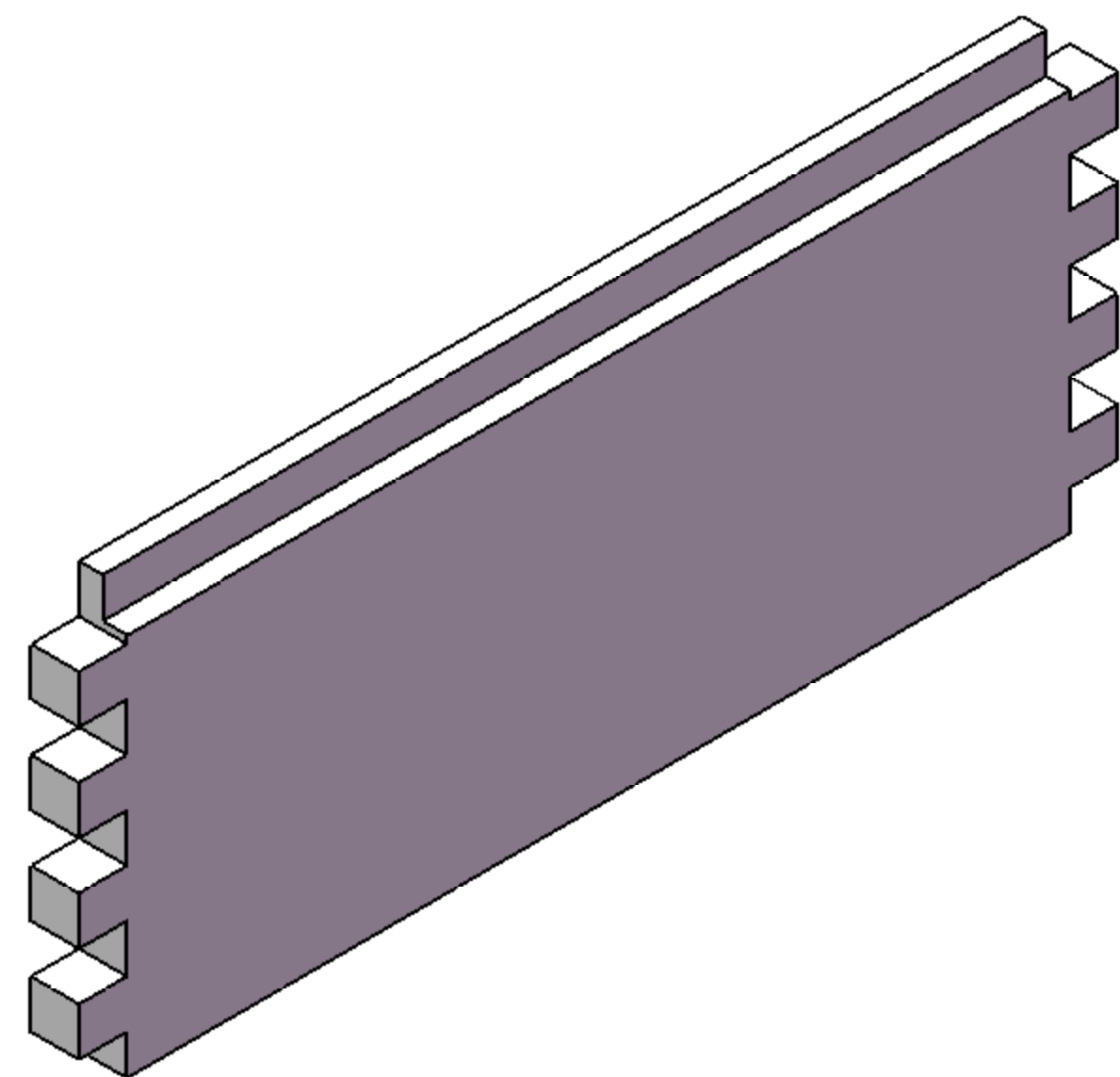
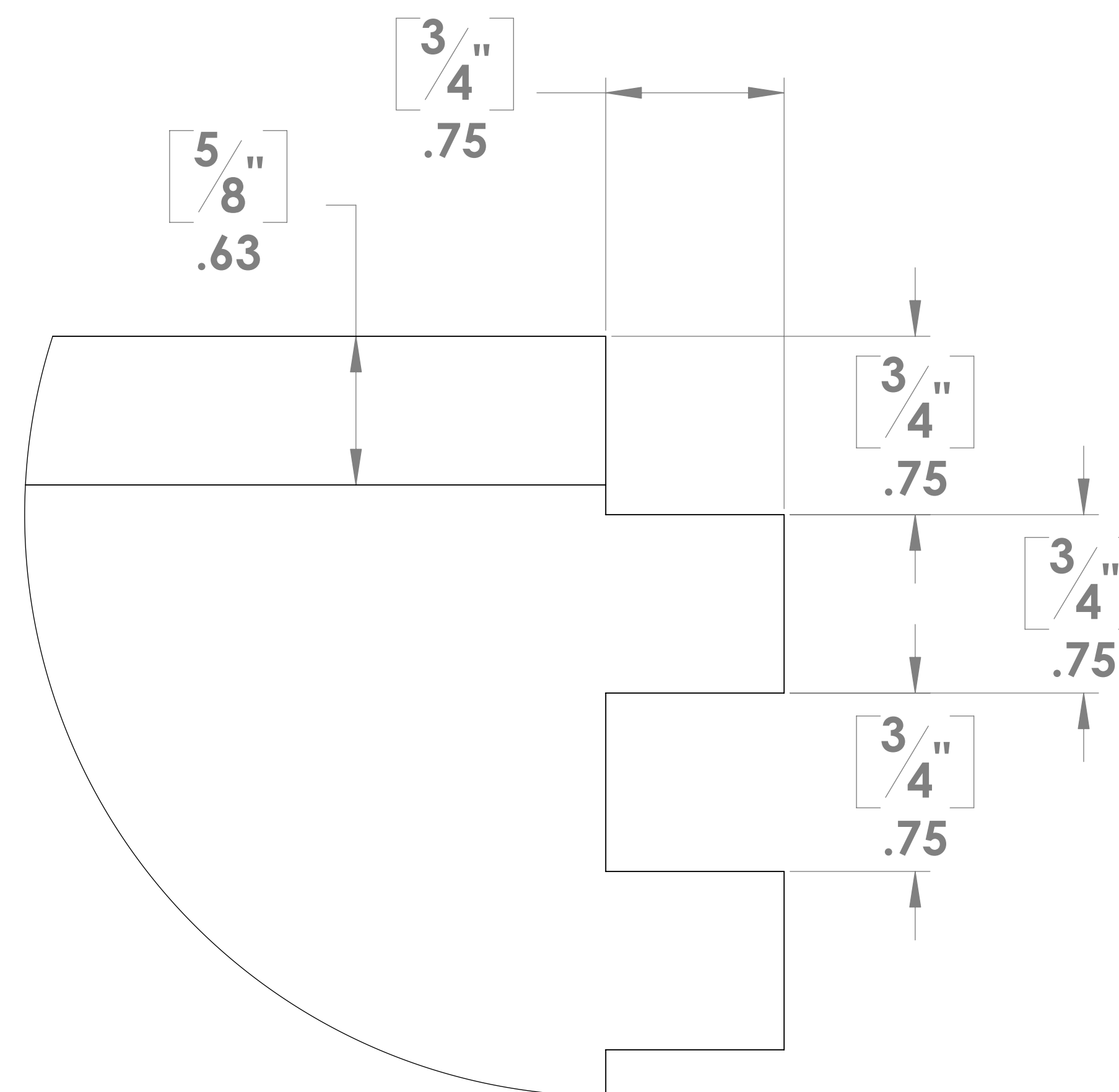
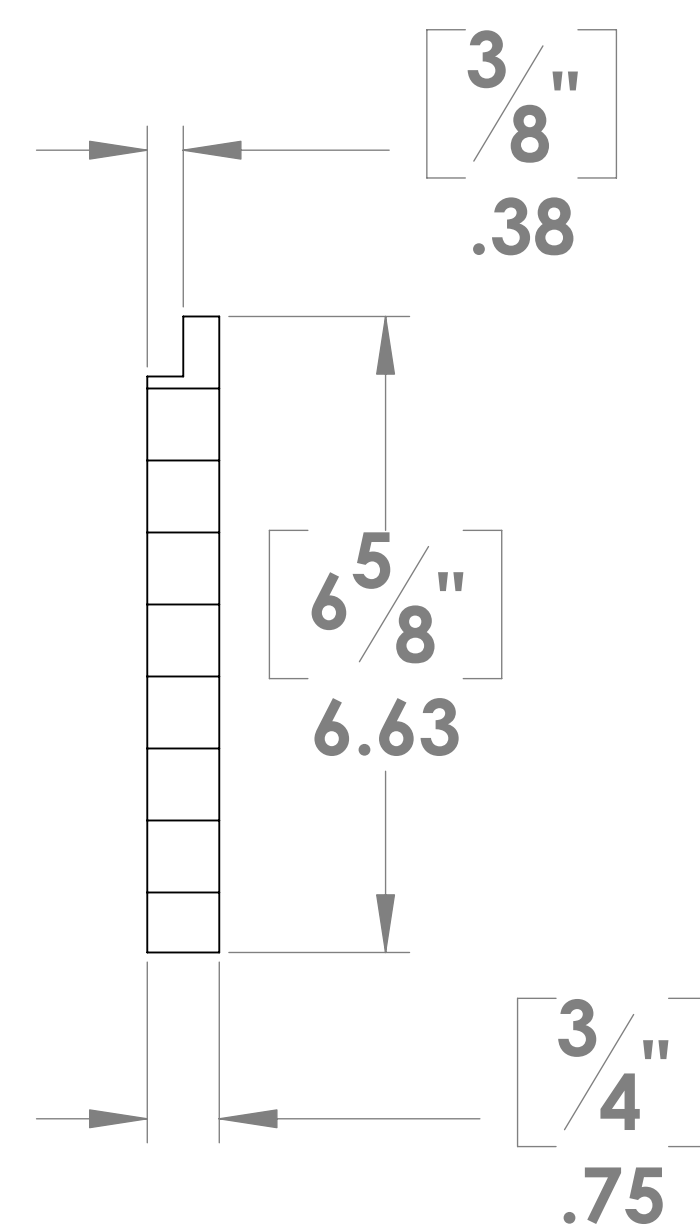
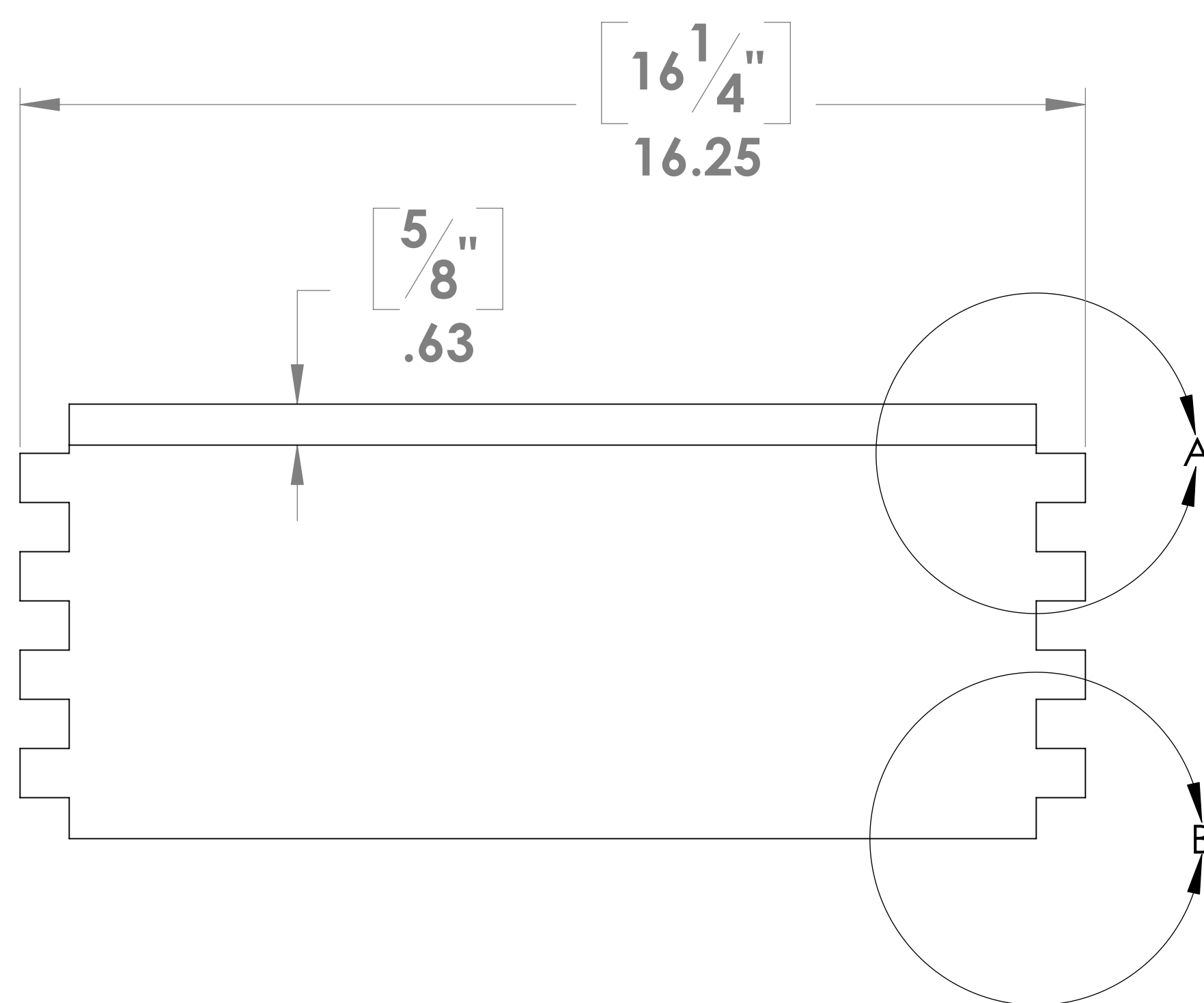


ITEM NO.	PART NUMBER	DESCRIPTION	QTY.
1	FRONT BACK HIVE BODY HONEY		1



DETAIL B  
2:1



DETAIL A  
2:1

DRAWN BY:	DATE:
JOHN GANTZ	1/30/2010
<small>PROPRIETARY AND CONFIDENTIAL THE INFORMATION CONTAINED IN THIS DRAWING IS THE SOLE PROPERTY OF GANTZ CUSTOM DESIGN. ANY REPRODUCTION IN PART OR AS A WHOLE WITHOUT THE WRITTEN PERMISSION OF GANTZ CUSTOM DESIGN IS PROHIBITED.</small>	

**GANTZ CUSTOM DESIGN**

TITLE:

DWG. NO. **HIVE BODY FRONT BACK SUPER HONEY** REV

SCALE: NONE SHEET 1 OF 1

ZONE	REV.	DESCRIPTION	DATE	APPROVED
REVISIONS				