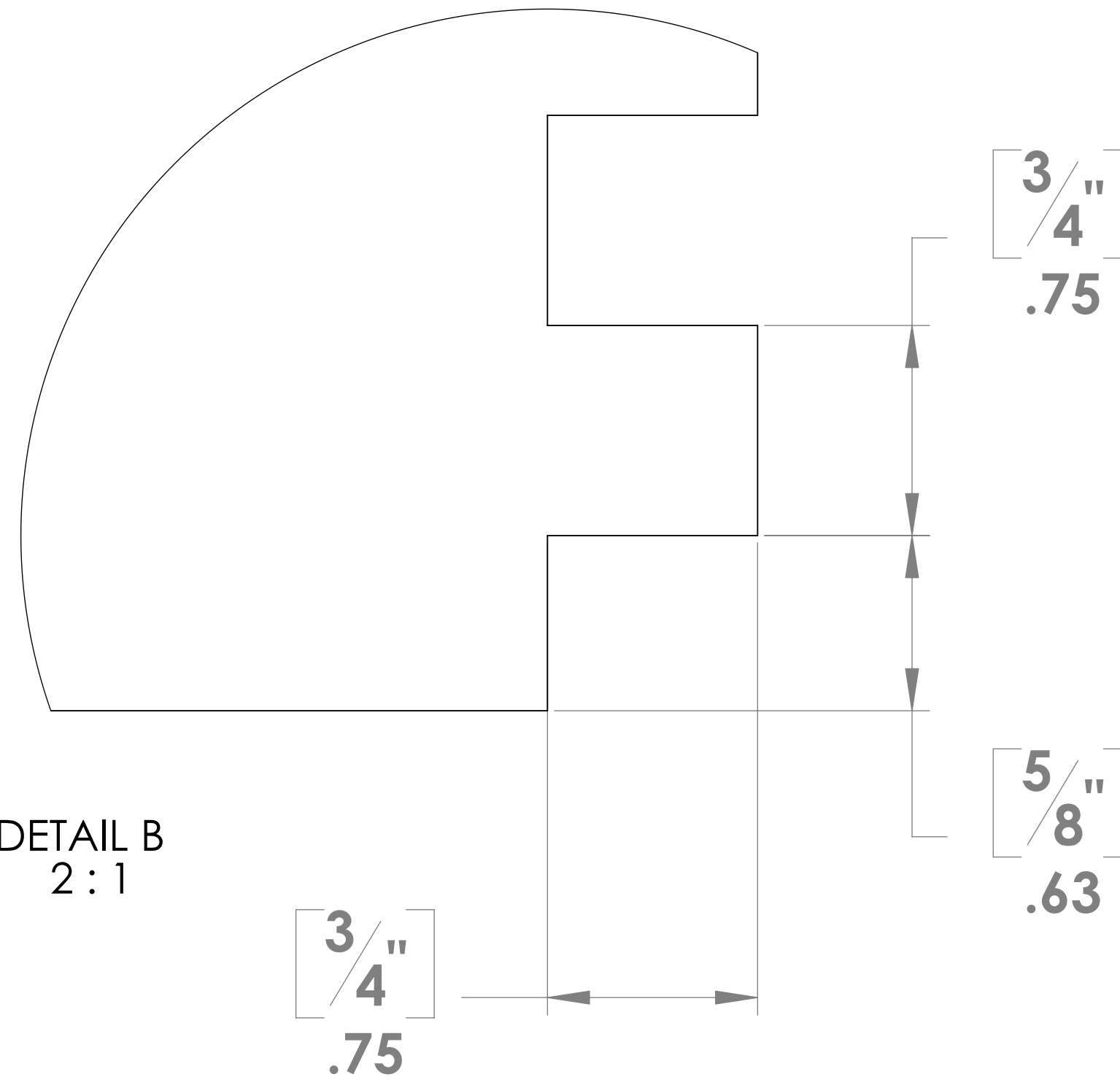
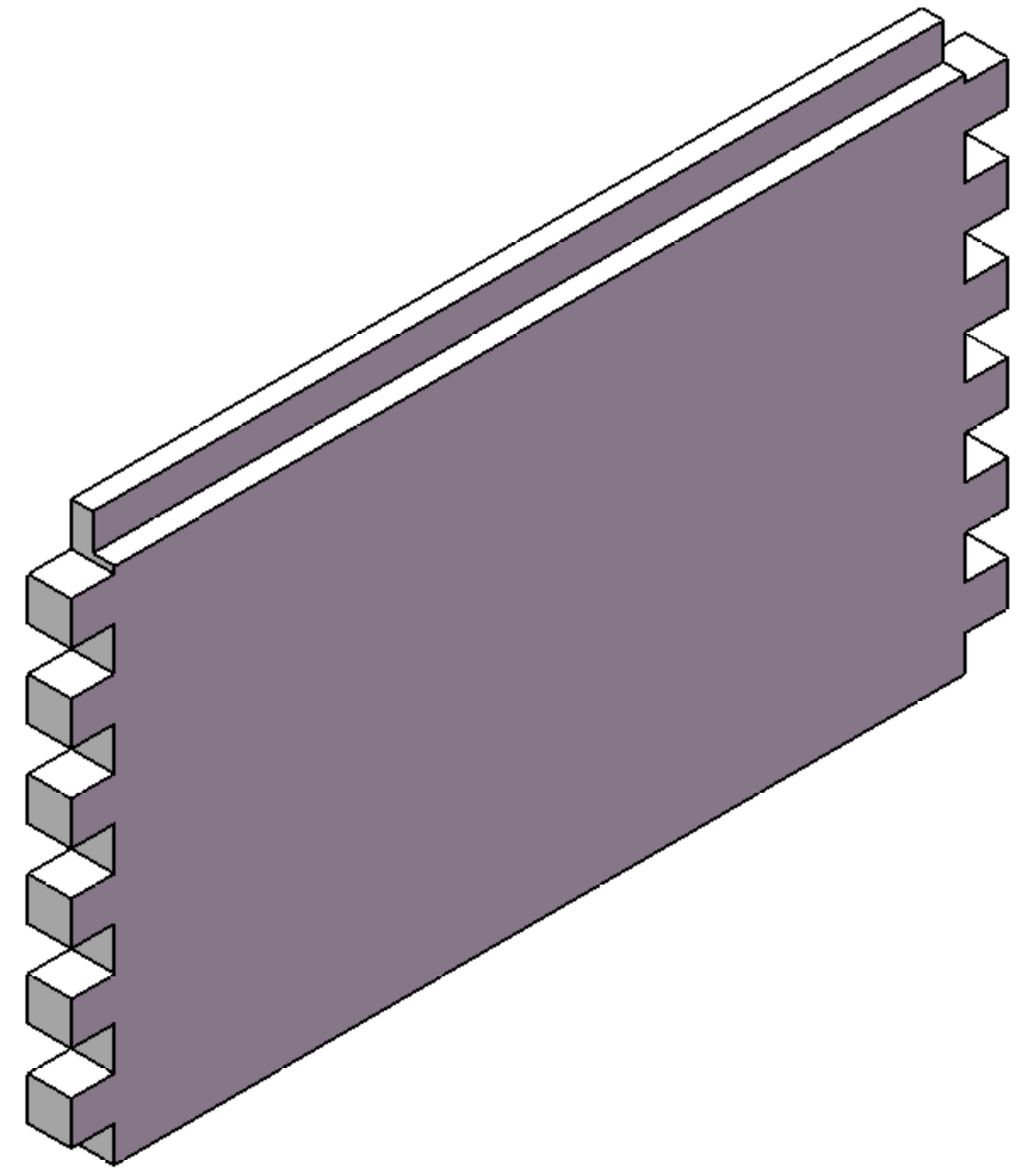
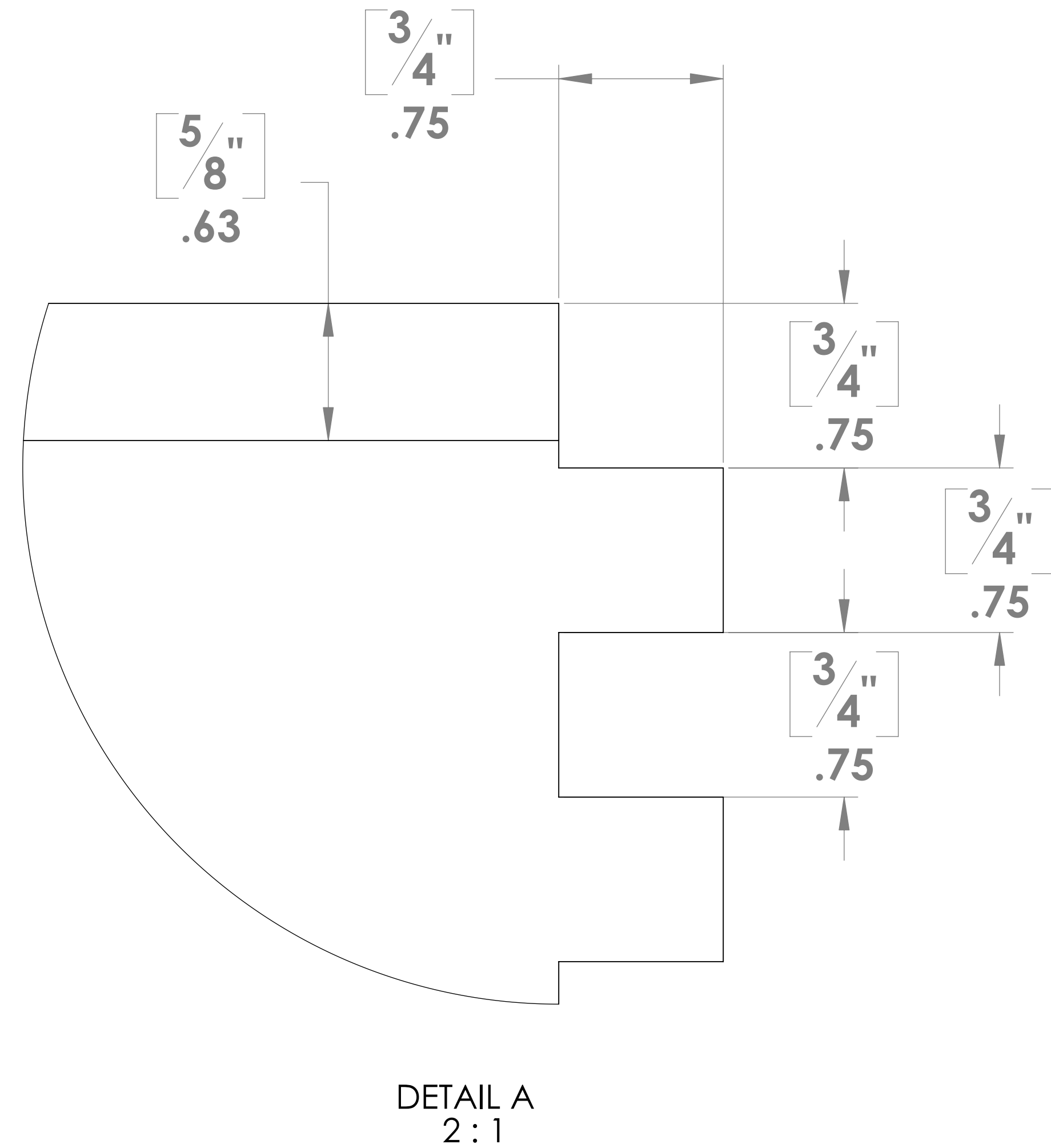
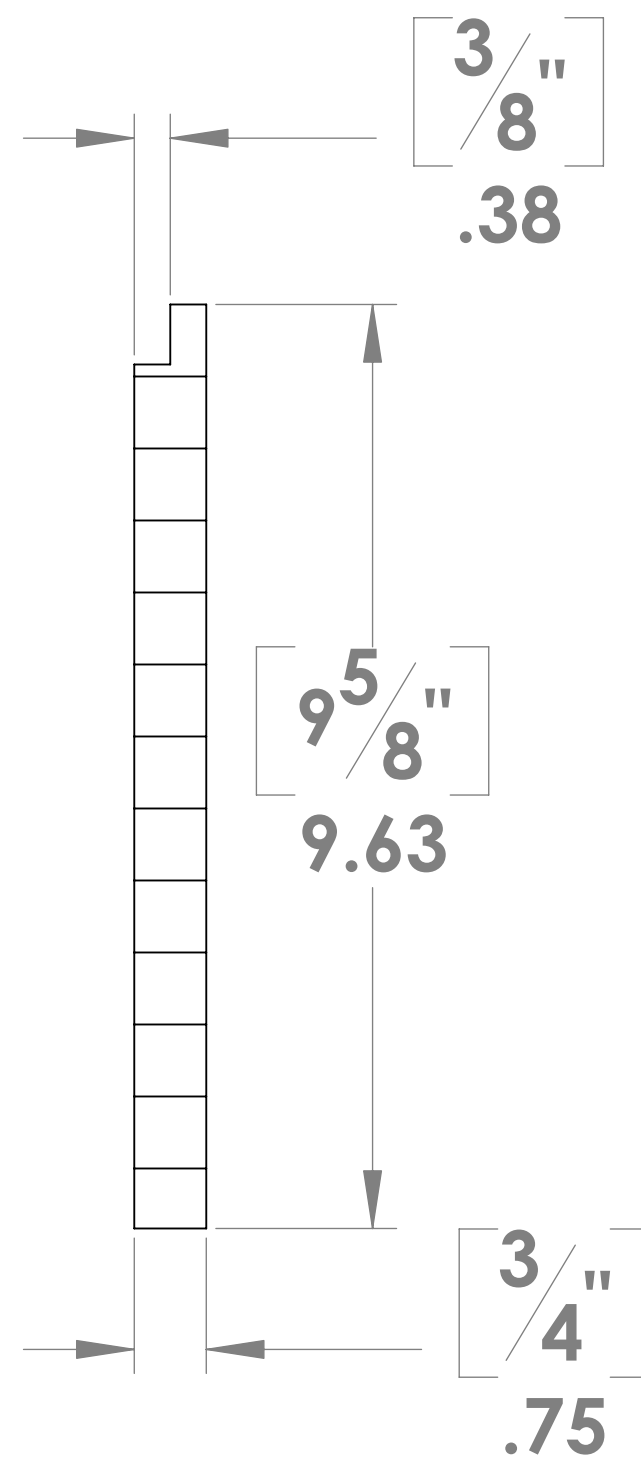
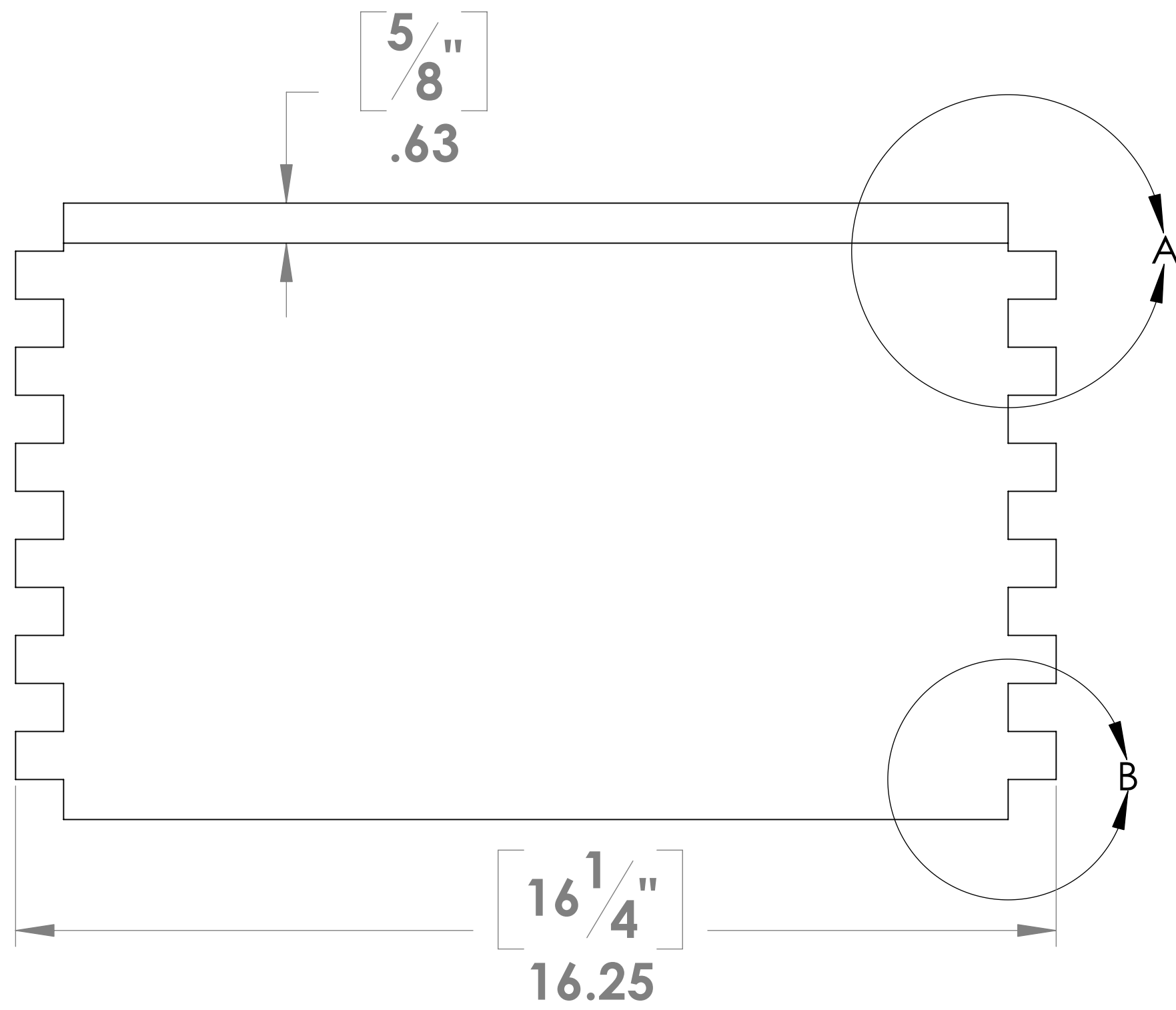


ITEM NO.	PART NUMBER	DESCRIPTION	QTY.
1	FRONT BACK HIVE BODY DEEP		1



DETAIL B
2:1



DETAIL A
2:1

DRAWN BY:	DATE:	GANTZ CUSTOM DESIGN										
JOHN GANTZ	1/30/2010											
<small>PROPRIETARY AND CONFIDENTIAL THE INFORMATION CONTAINED IN THIS DRAWING IS THE SOLE PROPERTY OF GANTZ CUSTOM DESIGN. ANY REPRODUCTION IN PART OR AS A WHOLE WITHOUT THE WRITTEN PERMISSION OF GANTZ CUSTOM DESIGN IS PROHIBITED.</small>		TITLE:										
<table border="1"> <thead> <tr> <th>ZONE</th> <th>REV.</th> <th>DESCRIPTION</th> <th>DATE</th> <th>APPROVED</th> </tr> </thead> <tbody> <tr> <td colspan="5" style="text-align: center;">REVISIONS</td> </tr> </tbody> </table>		ZONE	REV.	DESCRIPTION	DATE	APPROVED	REVISIONS					DWG. NO.
ZONE	REV.	DESCRIPTION	DATE	APPROVED								
REVISIONS												
		SCALE: NONE										
		SHEET 1 OF 1										