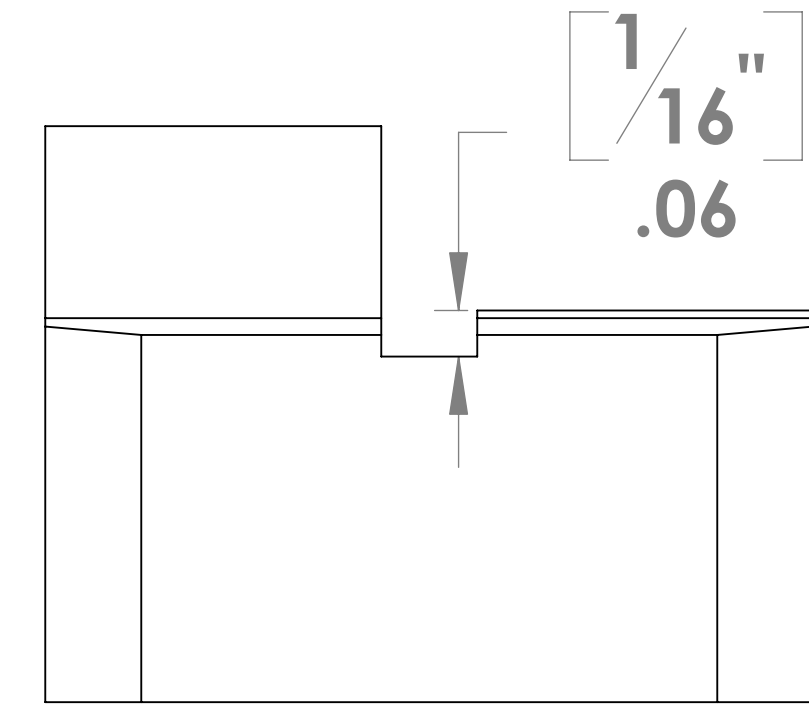
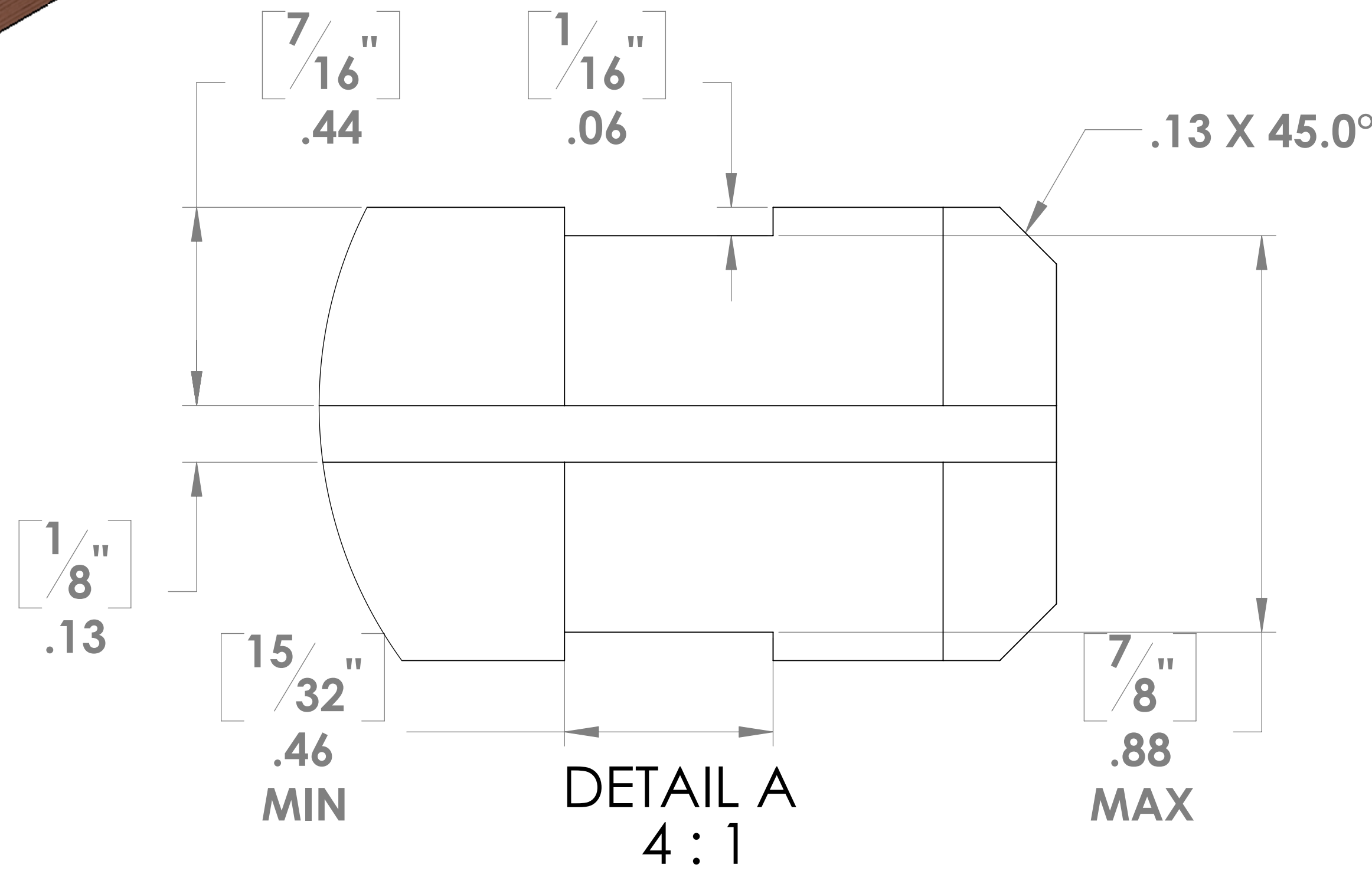
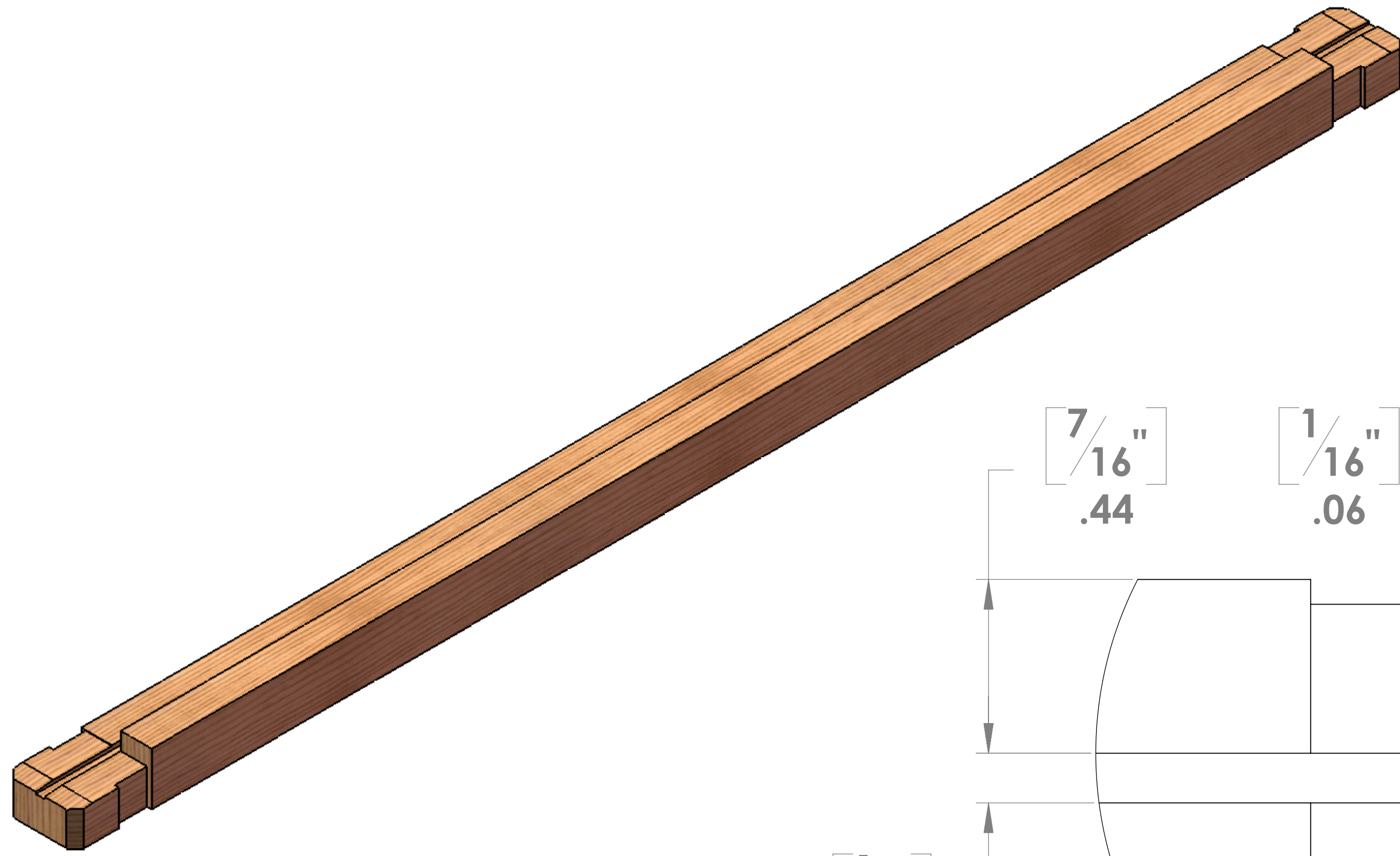
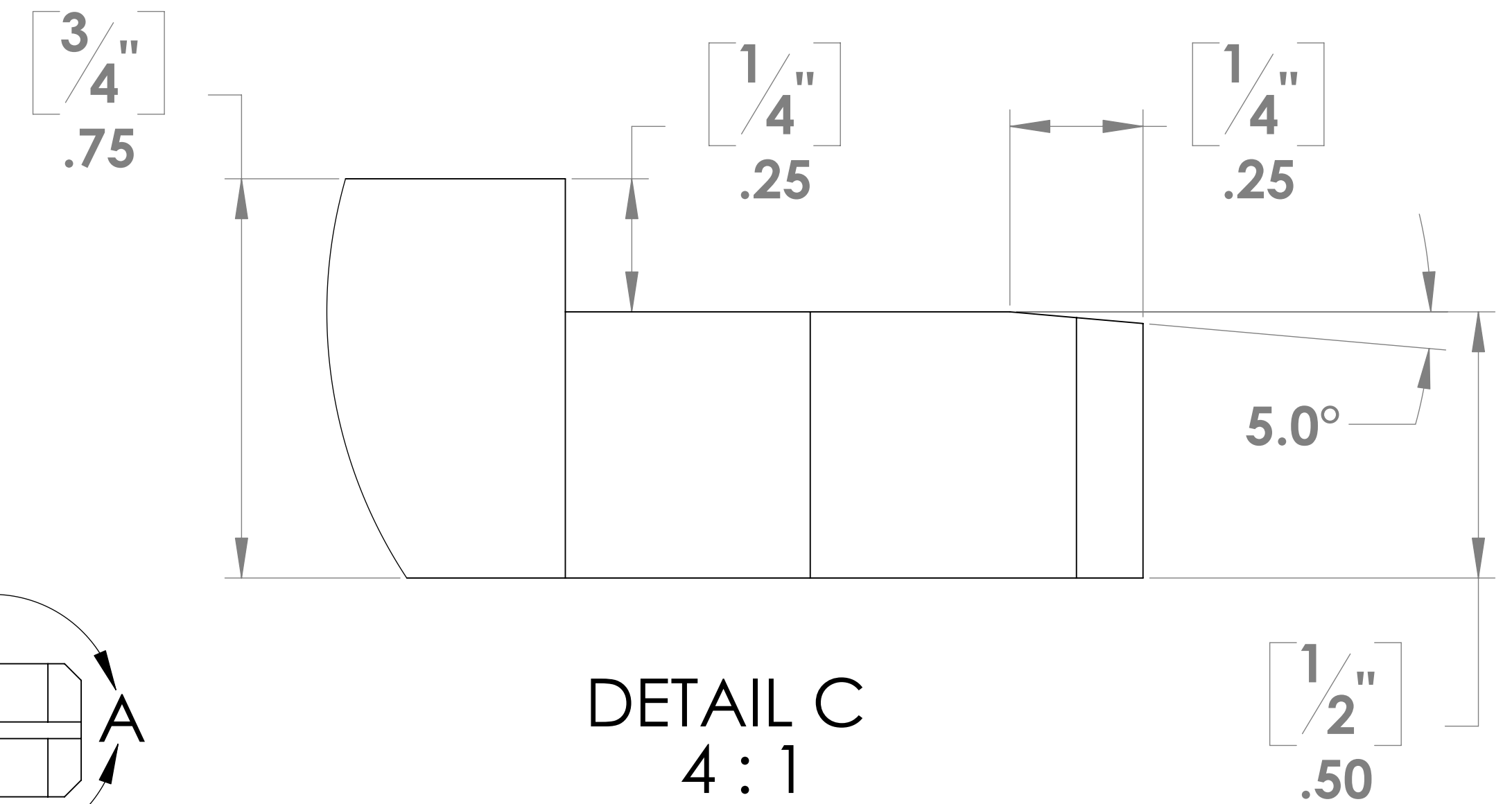


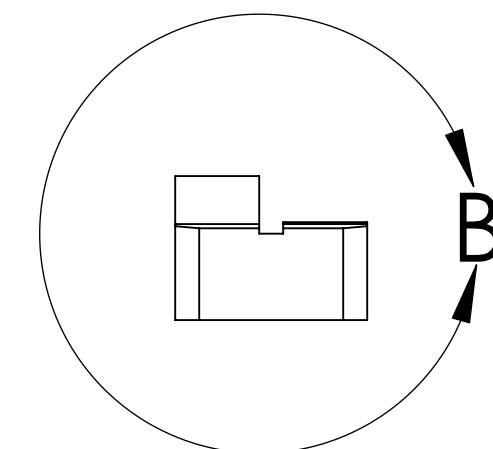
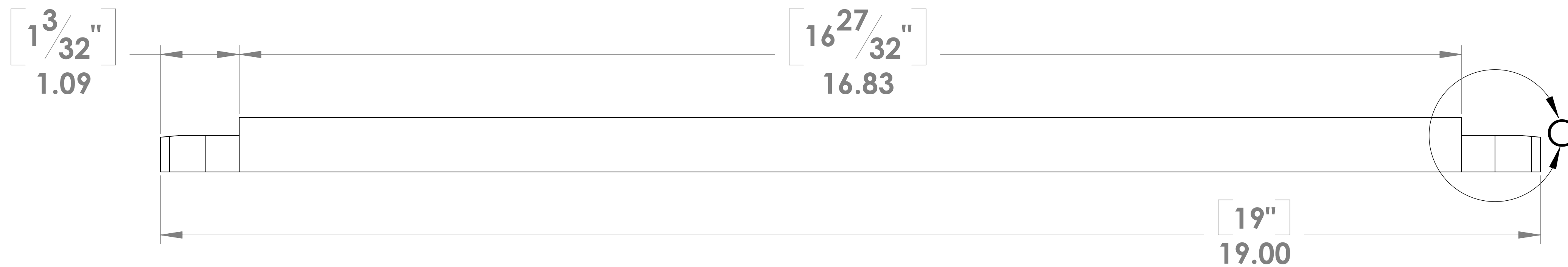
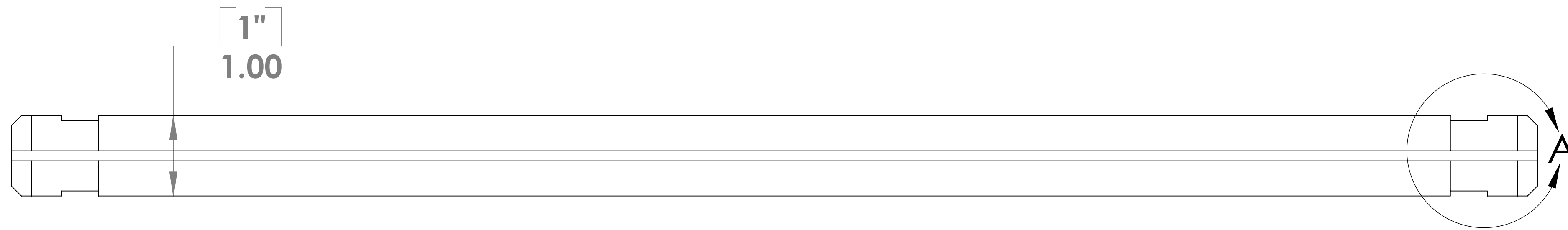
ITEM NO.	PART NUMBER	DESCRIPTION	QTY.
1	FRAME TOP		1



DETAIL B  
4:1



DETAIL C  
4:1



DRAWN BY:	DATE:	<b>GANTZ CUSTOM DESIGN</b>										
JOHN GANTZ	1/31/2010											
<small>PROPRIETARY AND CONFIDENTIAL THE INFORMATION CONTAINED IN THIS DRAWING IS THE SOLE PROPERTY OF GANTZ CUSTOM DESIGN. ANY REPRODUCTION IN PART OR AS A WHOLE WITHOUT THE WRITTEN PERMISSION OF GANTZ CUSTOM DESIGN IS PROHIBITED.</small>		TITLE:										
<table border="1"> <thead> <tr> <th>ZONE</th> <th>REV.</th> <th>DESCRIPTION</th> <th>DATE</th> <th>APPROVED</th> </tr> </thead> <tbody> <tr> <td colspan="5">REVISIONS</td> </tr> </tbody> </table>		ZONE	REV.	DESCRIPTION	DATE	APPROVED	REVISIONS					DWG. NO.
ZONE	REV.	DESCRIPTION	DATE	APPROVED								
REVISIONS												
SCALE: NONE		REV										
SHEET 1 OF 1												