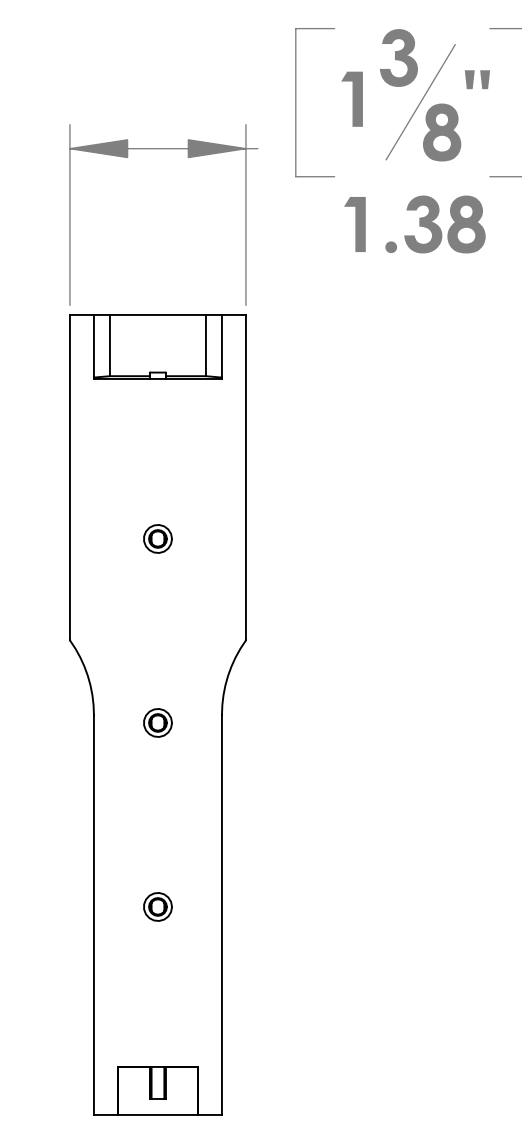
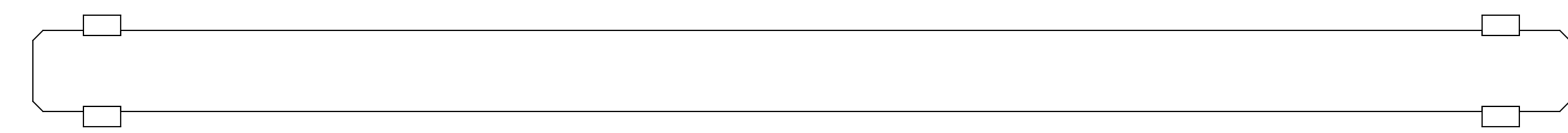
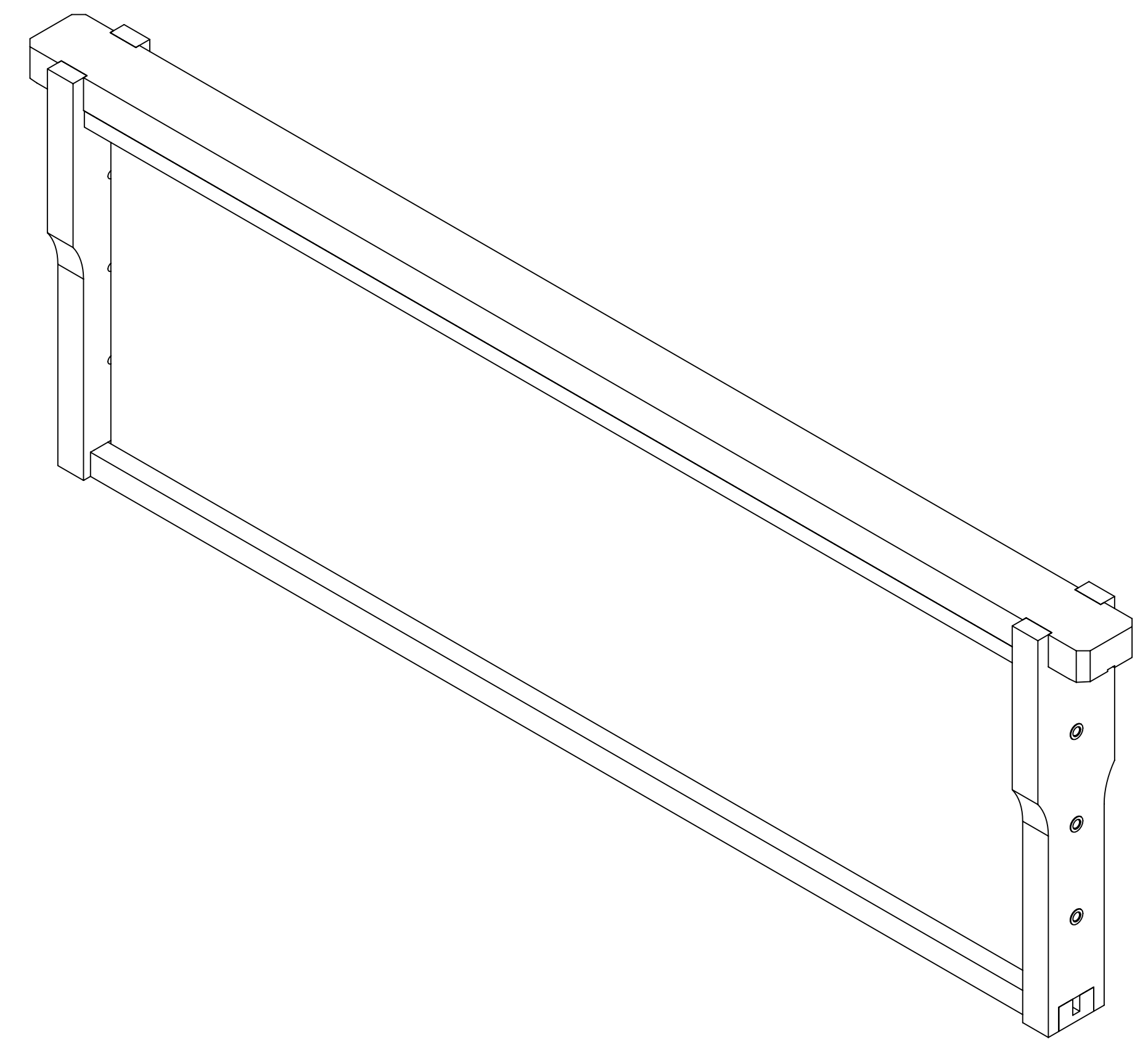
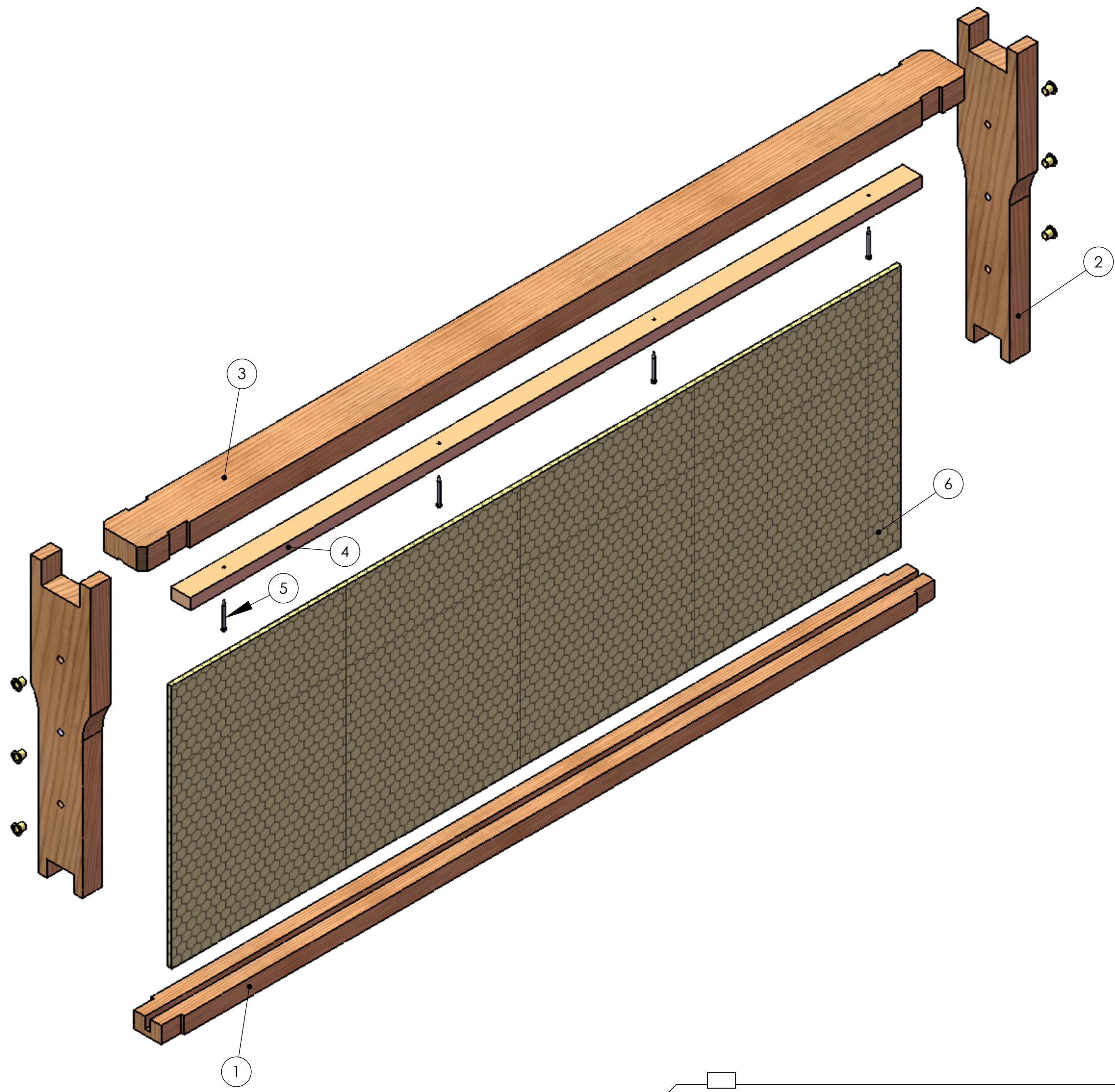


ITEM NO.	PART NUMBER	DESCRIPTION	FRAME HONEY/QTY.
1	FRAME BOTTOM		1
2	FRAME SIDE WITH EYELET		2
3	FRAME TOP		1
4	FOUDATION KEEPER		1
5	BRAD NAIL		4
6	FOUNDATION		1



DRAWN BY:	DATE:	GANTZ CUSTOM DESIGN
JOHN GANTZ	1/31/2010	
<small>PROPRIETARY AND CONFIDENTIAL THE INFORMATION CONTAINED IN THIS DRAWING IS THE SOLE PROPERTY OF GANTZ CUSTOM DESIGN. ANY REPRODUCTION IN PART OR AS A WHOLE WITHOUT THE WRITTEN PERMISSION OF GANTZ CUSTOM DESIGN IS PROHIBITED.</small>		TITLE:
<small>ZONE</small> <small>REV.</small> <small>DESCRIPTION</small> <small>DATE</small> <small>APPROVED</small>		DWG. NO. FRAME HONEY SUPER REV
<small>REVISIONS</small>		SCALE: NONE SHEET 1 OF 1