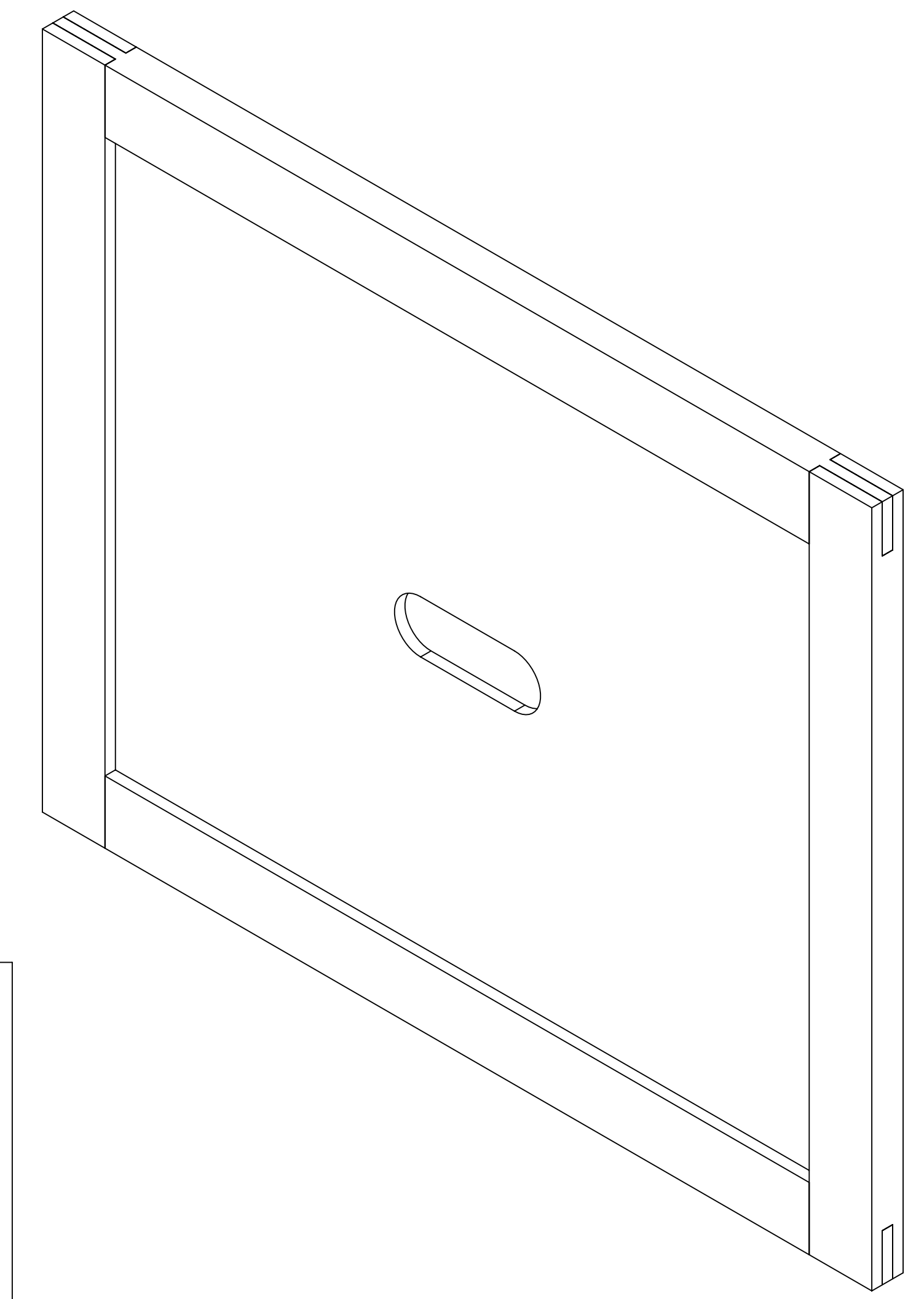
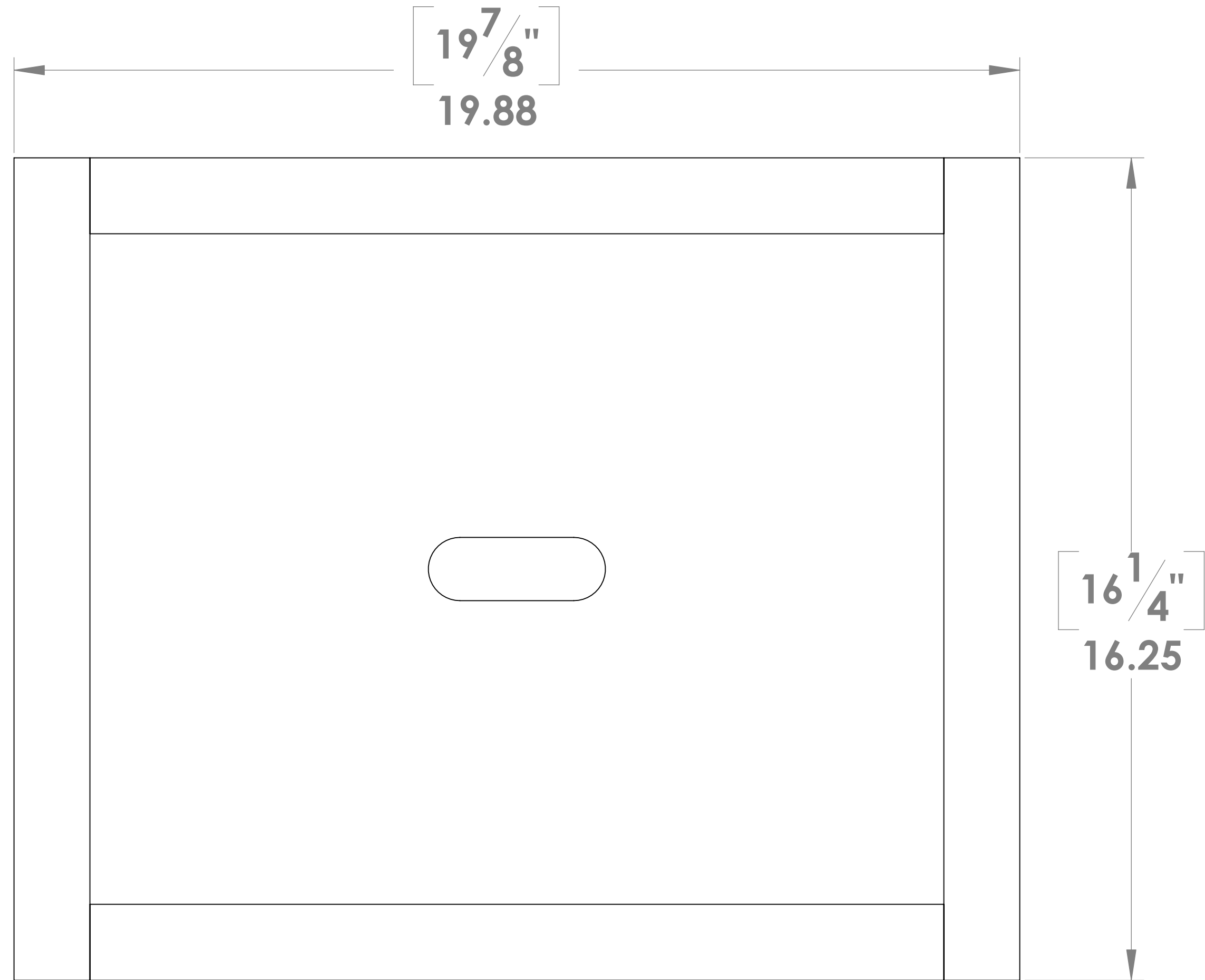


ITEM NO.	PART NUMBER	DESCRIPTION	QTY.
1	INNER COVER FRAME PEICE LARGE		2
2	INNER COVER FRAME PEICE SMALL		2
3	INNER COVER PLYWOOD		1



DRAWN BY:	DATE:	GANTZ CUSTOM DESIGN
JOHN GANTZ	1/30/2010	
<small>PROPRIETARY AND CONFIDENTIAL THE INFORMATION CONTAINED IN THIS DRAWING IS THE SOLE PROPERTY OF GANTZ CUSTOM DESIGN. ANY REPRODUCTION IN PART OR AS A WHOLE WITHOUT THE WRITTEN PERMISSION OF GANTZ CUSTOM DESIGN IS PROHIBITED.</small>		TITLE:
		DWG. NO.
		REV
		SCALE: NONE
		SHEET 1 OF 1

ZONE	REV.	DESCRIPTION	DATE	APPROVED
		REVISIONS		