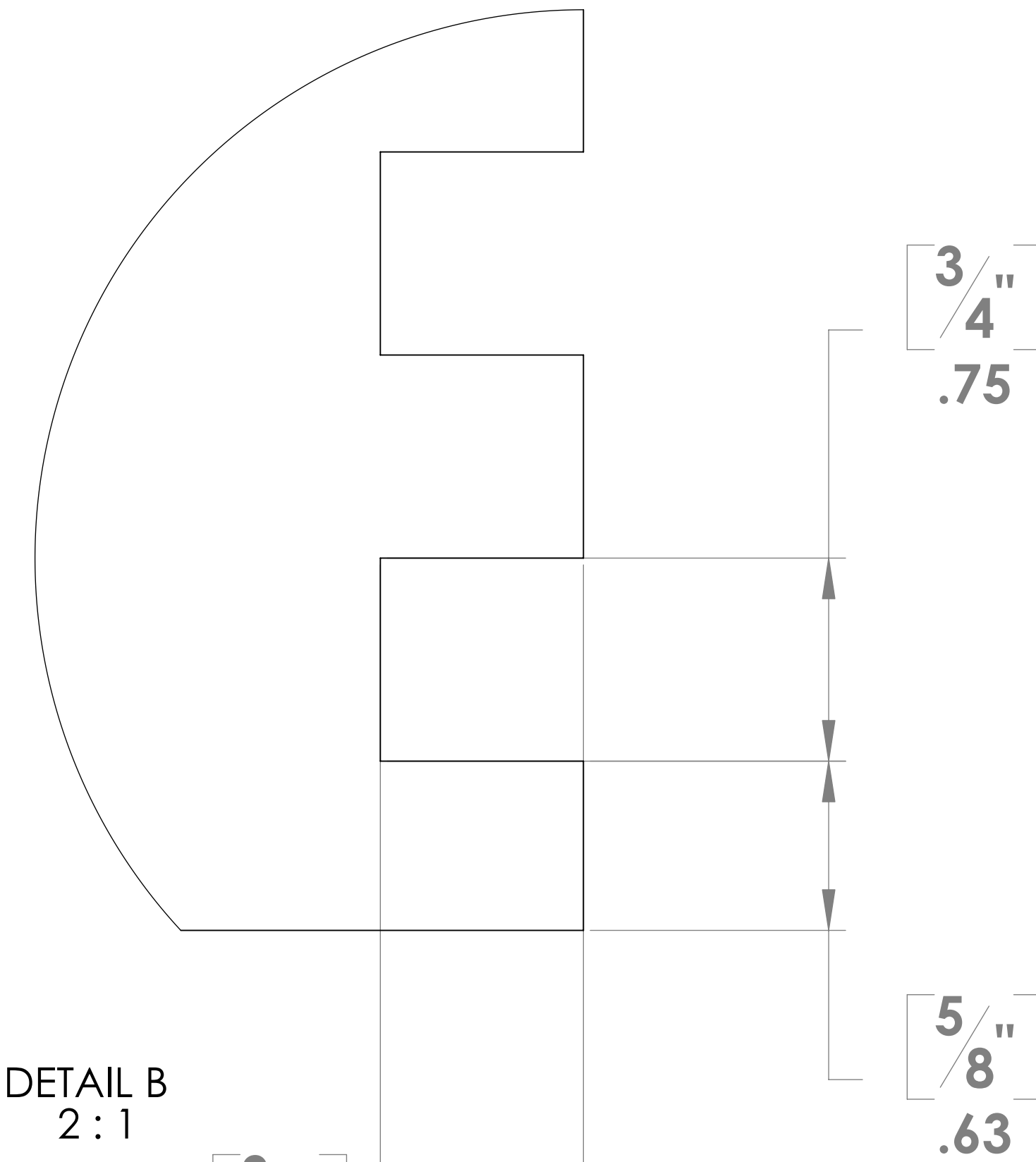
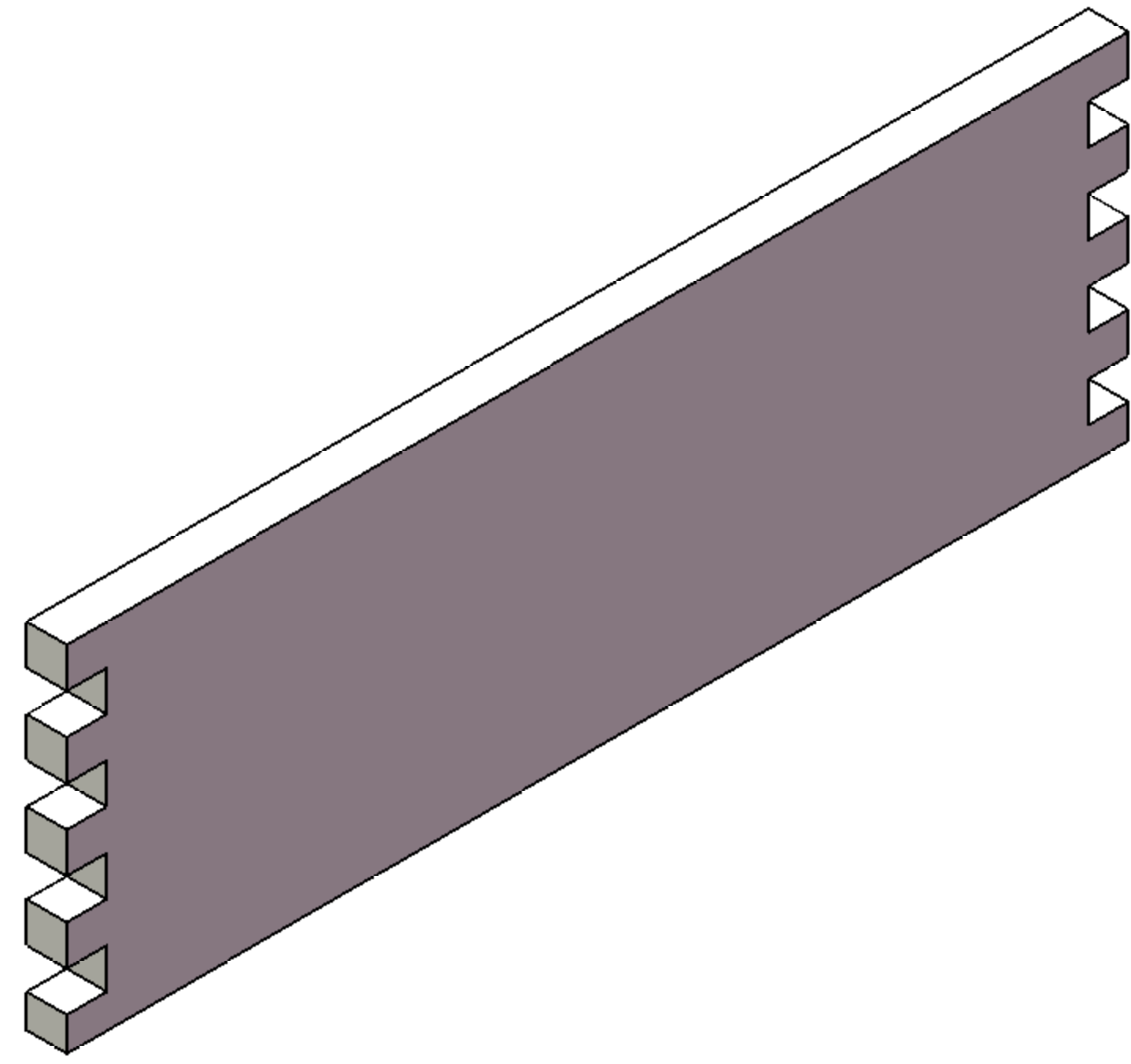


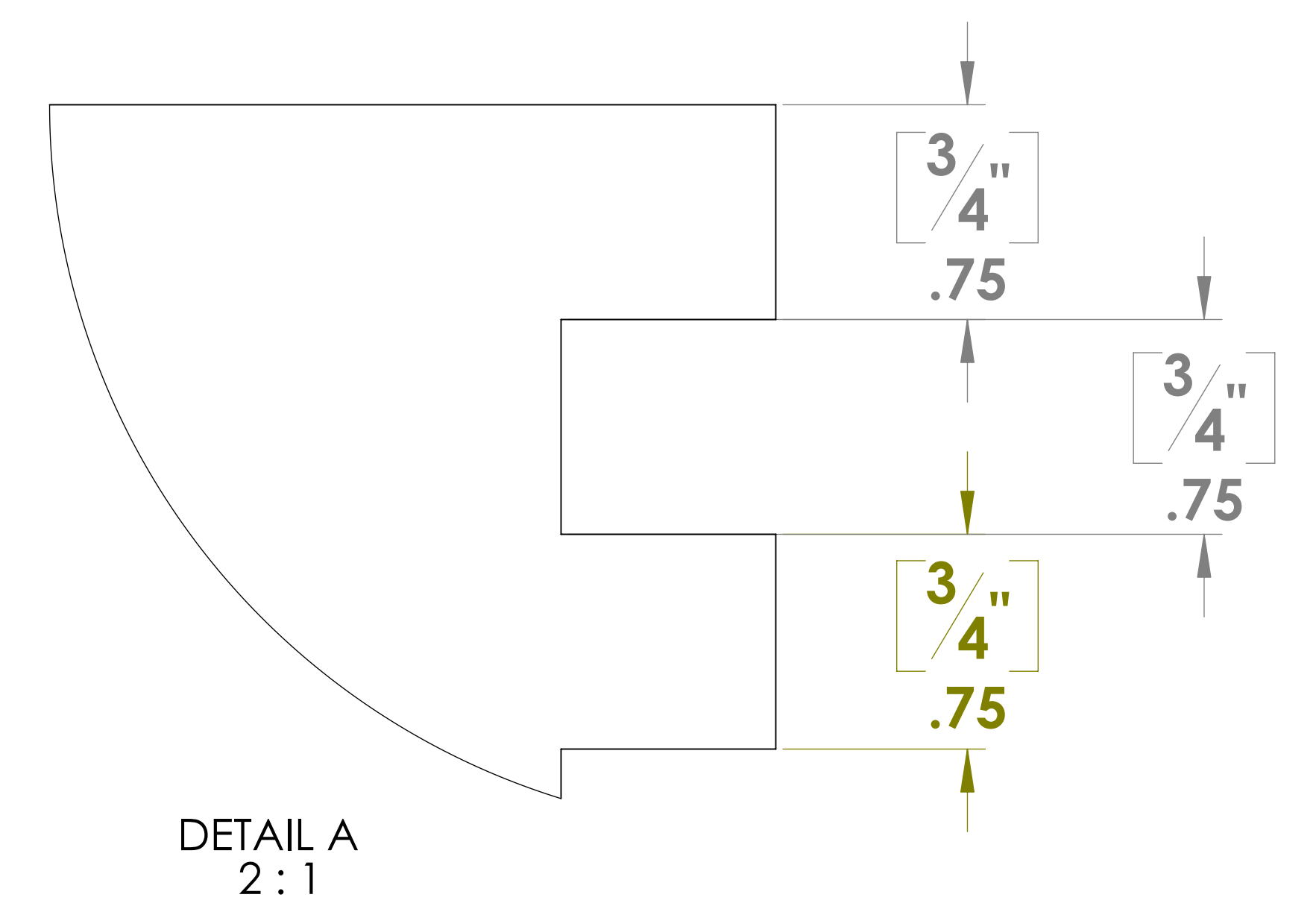
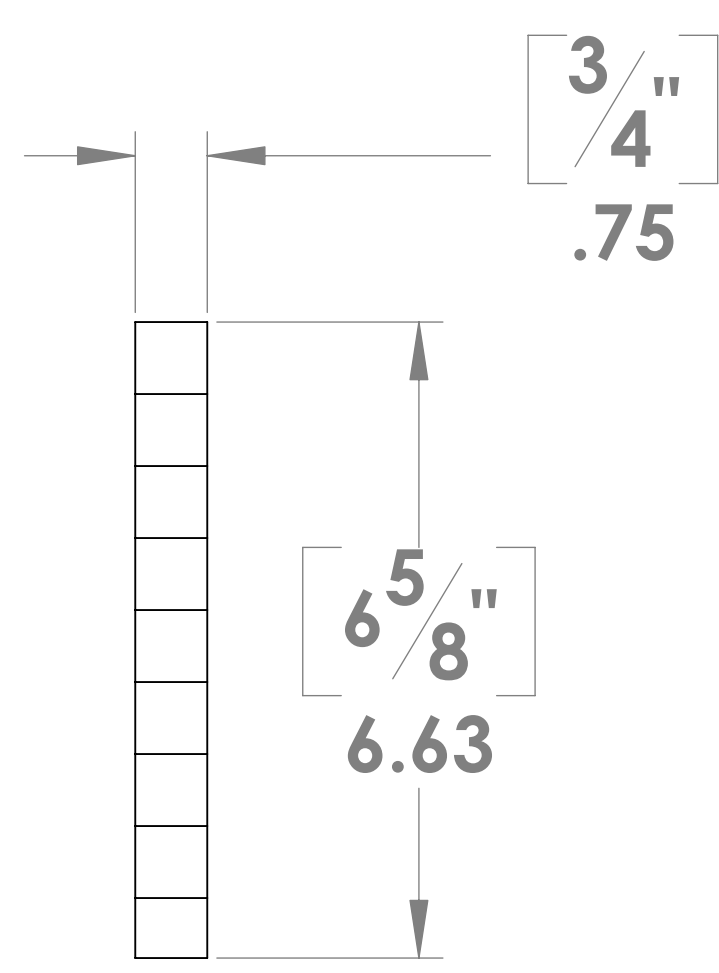
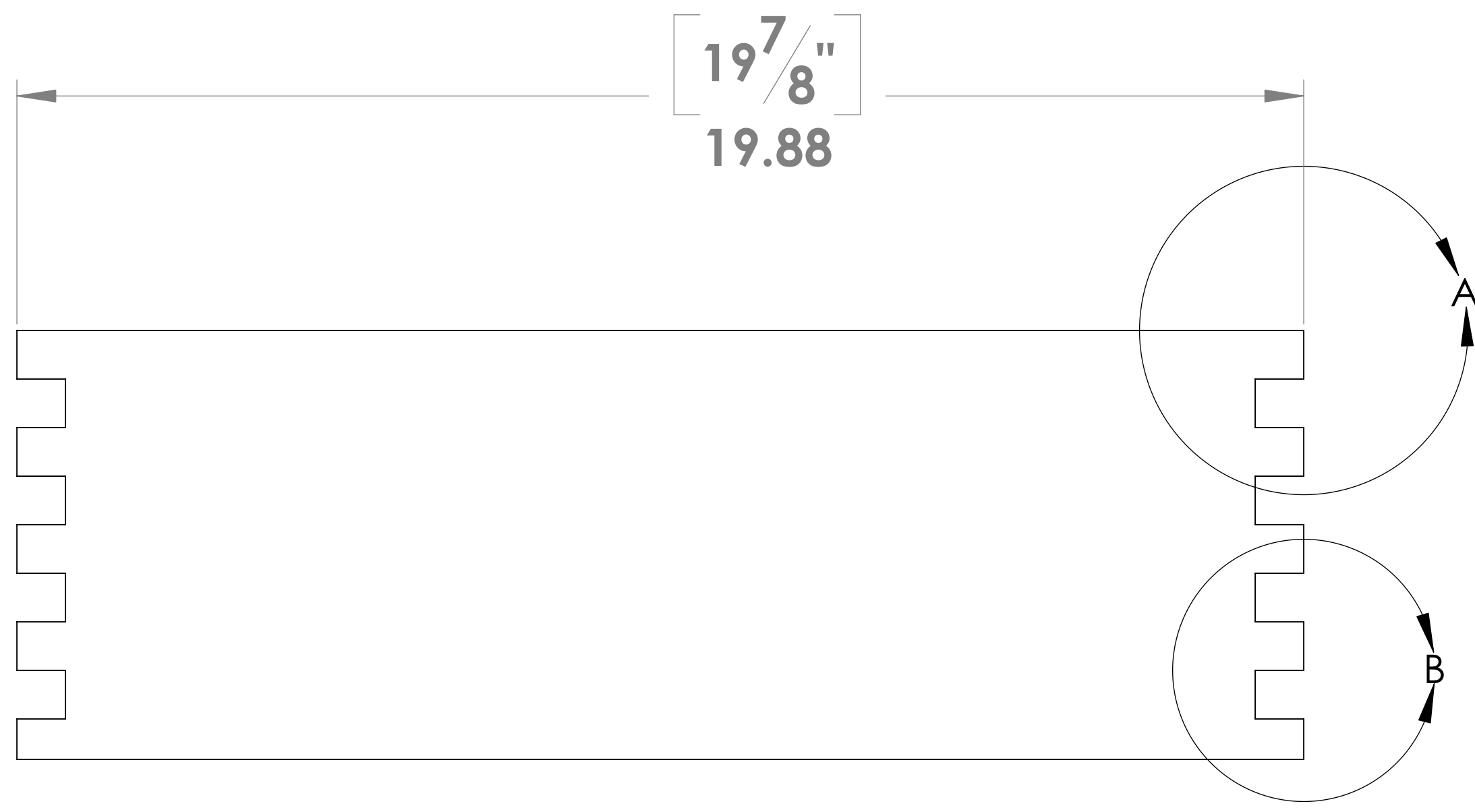
ITEM NO.	PART NUMBER	DESCRIPTION	QTY.
1	SIDE HIVE BODY HONEY		1



DETAIL B  
2:1

3/4" .75

5/8" .63



DETAIL A  
2:1

DRAWN BY: JOHN GANTZ	DATE 1/30/2010	<b>GANTZ CUSTOM DESIGN</b>	
<small>PROPRIETARY AND CONFIDENTIAL THE INFORMATION CONTAINED IN THIS DRAWING IS THE SOLE PROPERTY OF GANTZ CUSTOM DESIGN. ANY REPRODUCTION IN PART OR AS A WHOLE WITHOUT THE WRITTEN PERMISSION OF GANTZ CUSTOM DESIGN IS PROHIBITED.</small>		TITLE: <b>HIVE BODY SIDE HONEY</b>	REV
DWG. NO.		SCALE: NONE	
REVISIONS		SHEET 1 OF 1	

ZONE	REV.	DESCRIPTION	DATE	APPROVED
3		REVISIONS		
2				
1				

