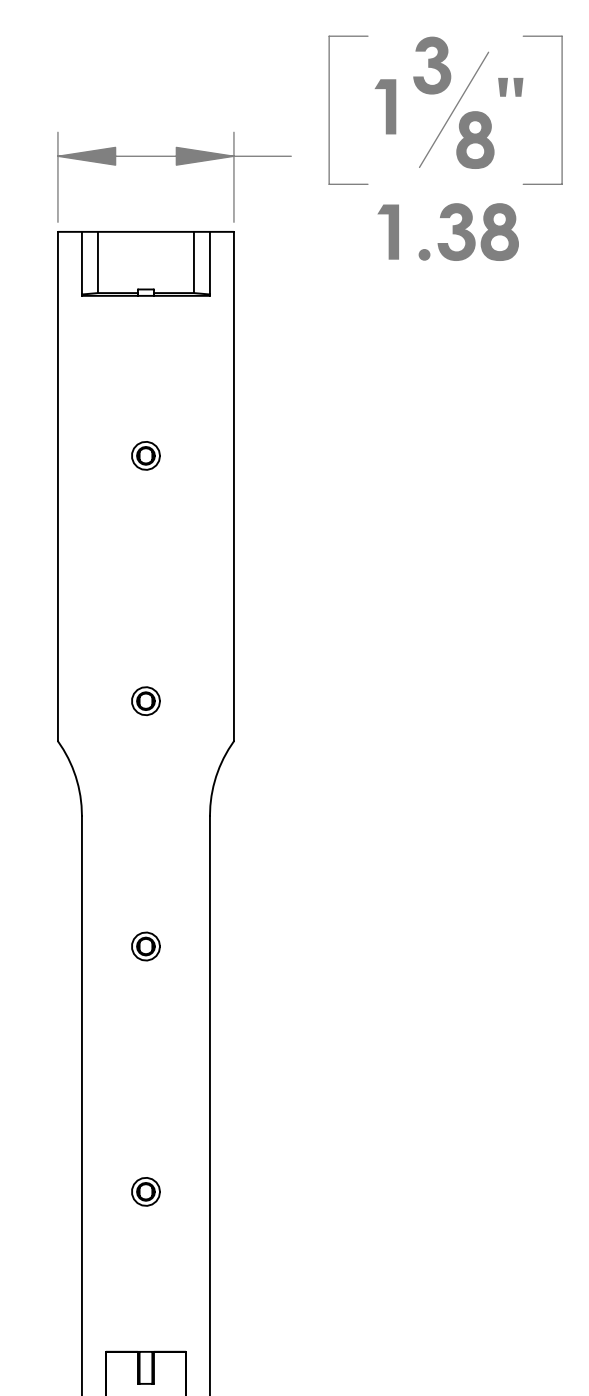
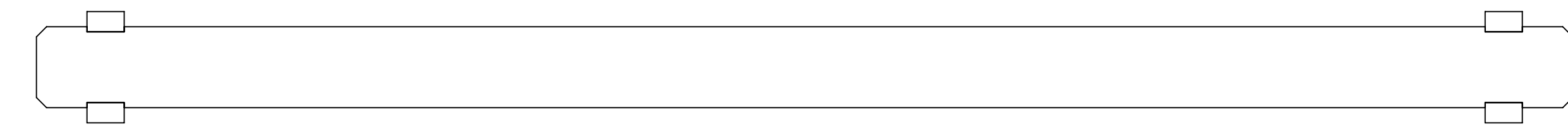
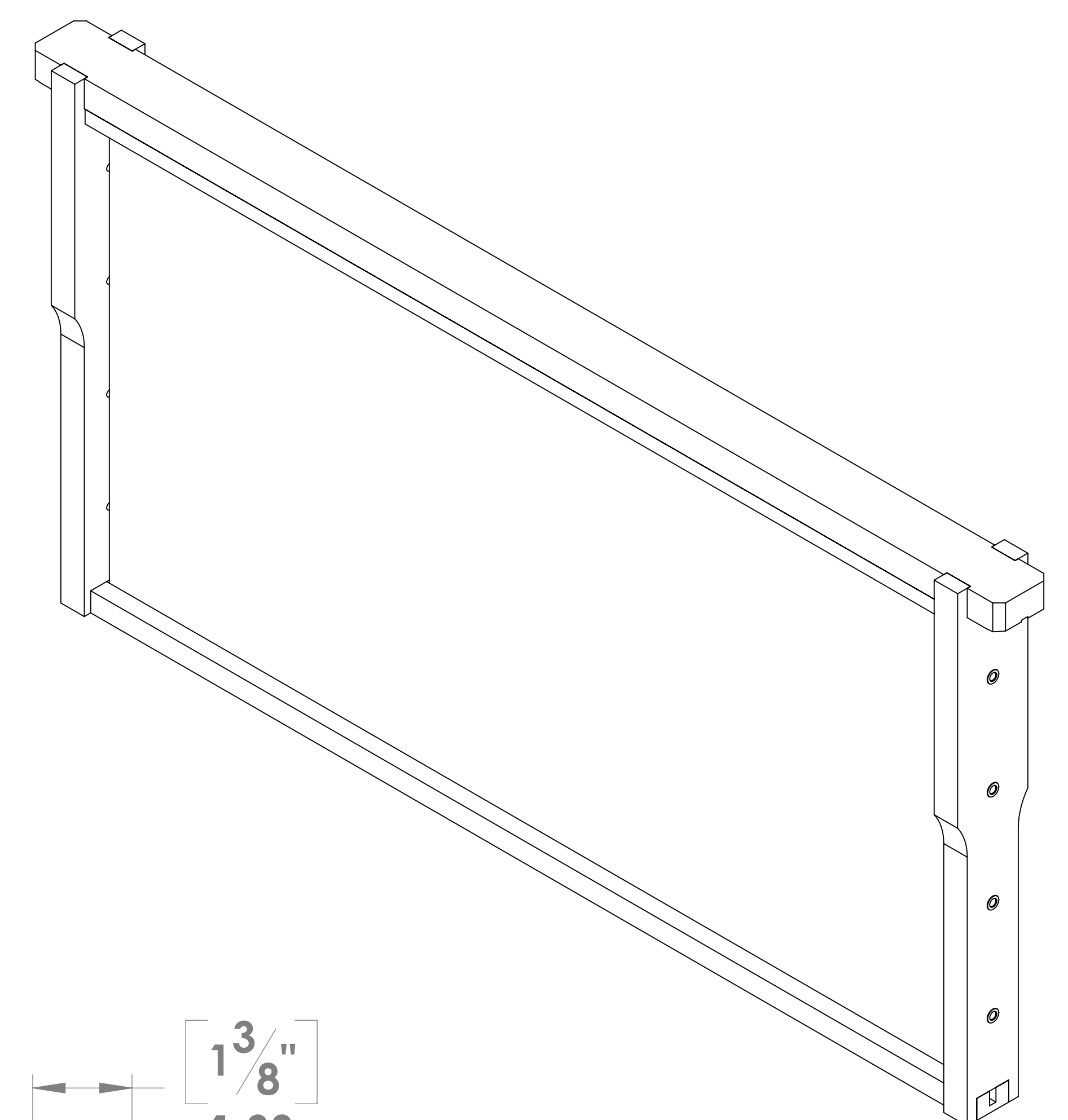
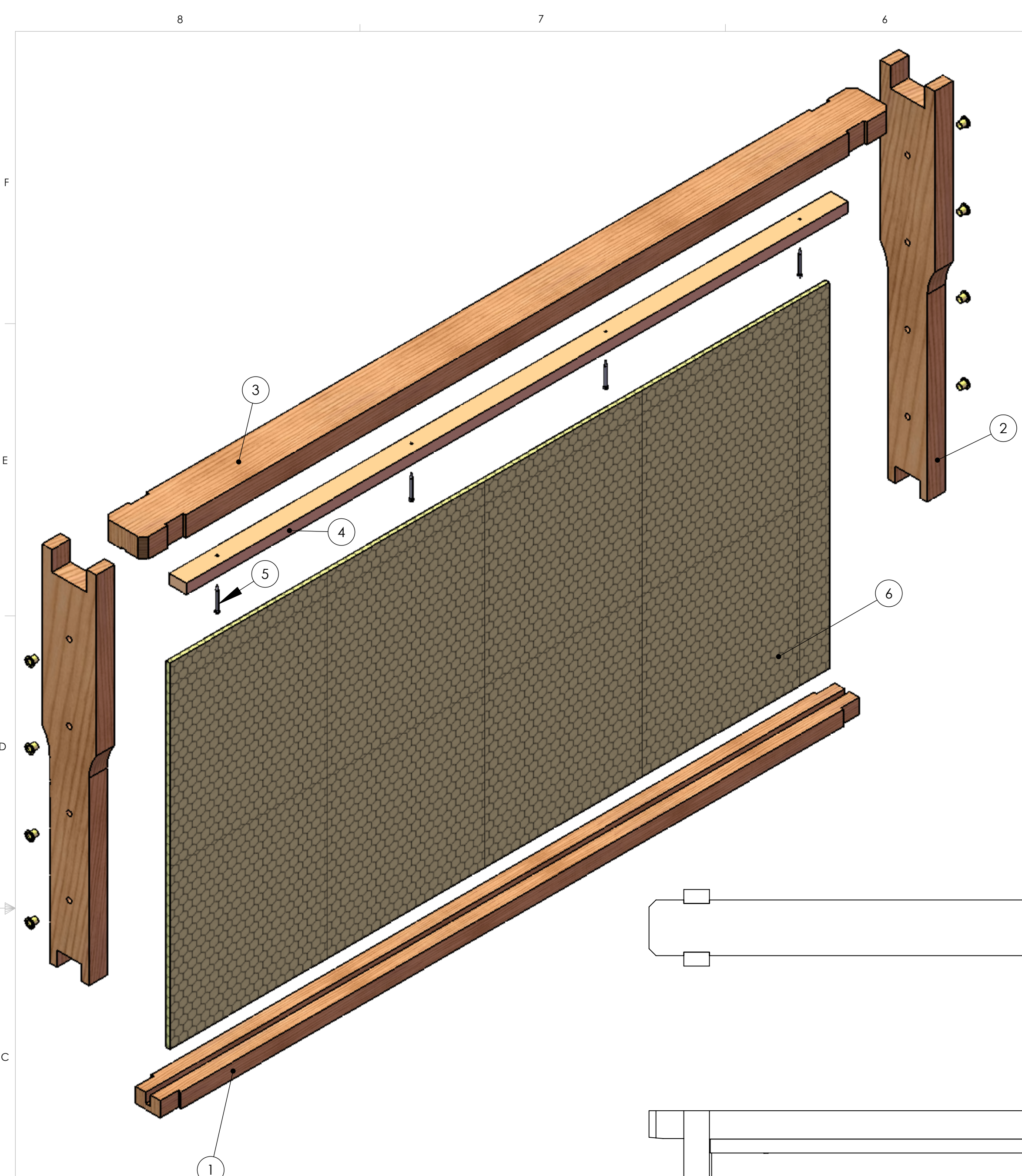


| ITEM NO. | PART NUMBER                       | DESCRIPTION | FRAME DEEP/QTY |
|----------|-----------------------------------|-------------|----------------|
| 1        | FRAME BOTTOM                      |             | 1              |
| 2        | FRAME SIDE WITH ELELET DEEP SUPER |             | 2              |
| 3        | FRAME TOP                         |             | 1              |
| 4        | FOUDATION KEEPER                  |             | 1              |
| 5        | BRAD NAIL                         |             | 4              |
| 6        | FOUNDATION                        |             | 1              |



|  |                   |                            |
|--|-------------------|----------------------------|
| DRAWN BY:<br>JOHN GANTZ  | DATE<br>1/31/2010 | <b>GANTZ CUSTOM DESIGN</b> |
| <small>PROPRIETARY AND CONFIDENTIAL<br/>THE INFORMATION CONTAINED IN THIS DRAWING IS THE SOLE PROPERTY OF GANTZ CUSTOM DESIGN. ANY REPRODUCTION IN PART OR AS A WHOLE WITHOUT THE WRITTEN PERMISSION OF GANTZ CUSTOM DESIGN IS PROHIBITED.</small> |                   |                            |
| TITLE:<br><b>FRAME DEEP SUPER</b>  |                   | REV                        |
| SCALE: NONE  |                   | SHEET 1 OF 1               |

| ZONE      | REV. | DESCRIPTION | DATE | APPROVED |
|-----------|------|-------------|------|----------|
| REVISIONS |      |             |      |          |