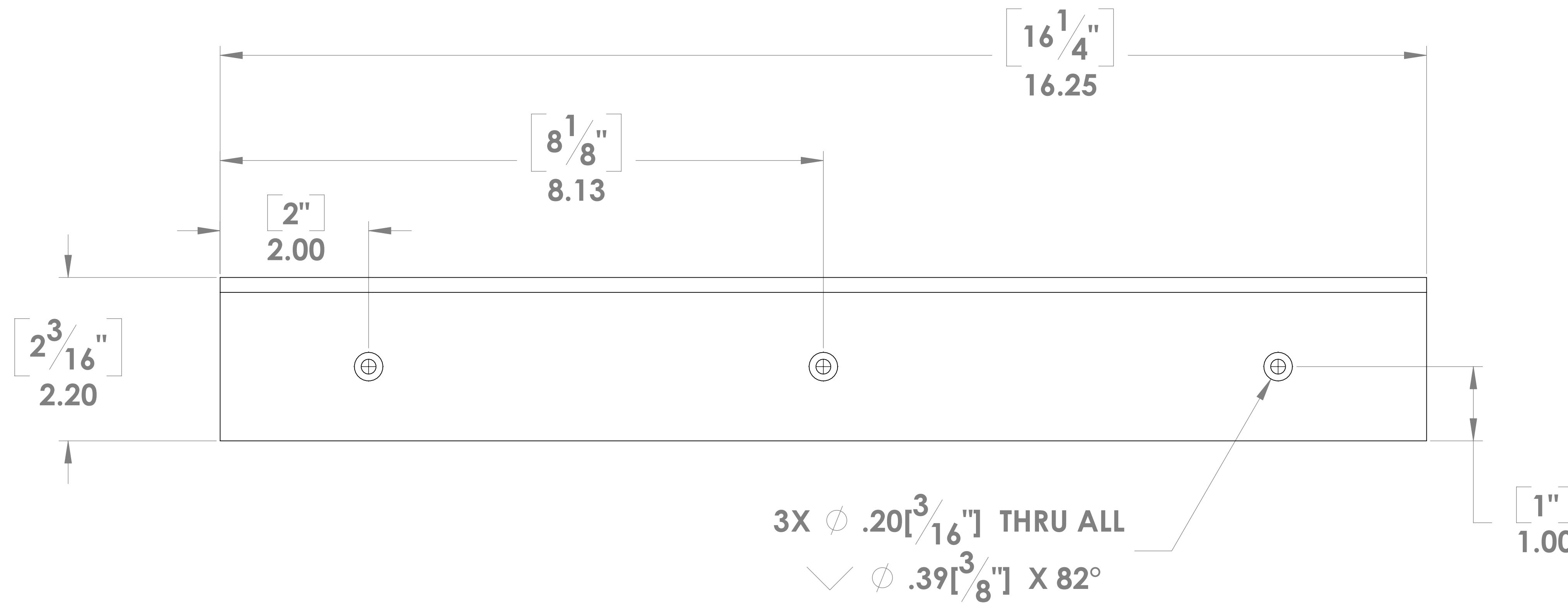
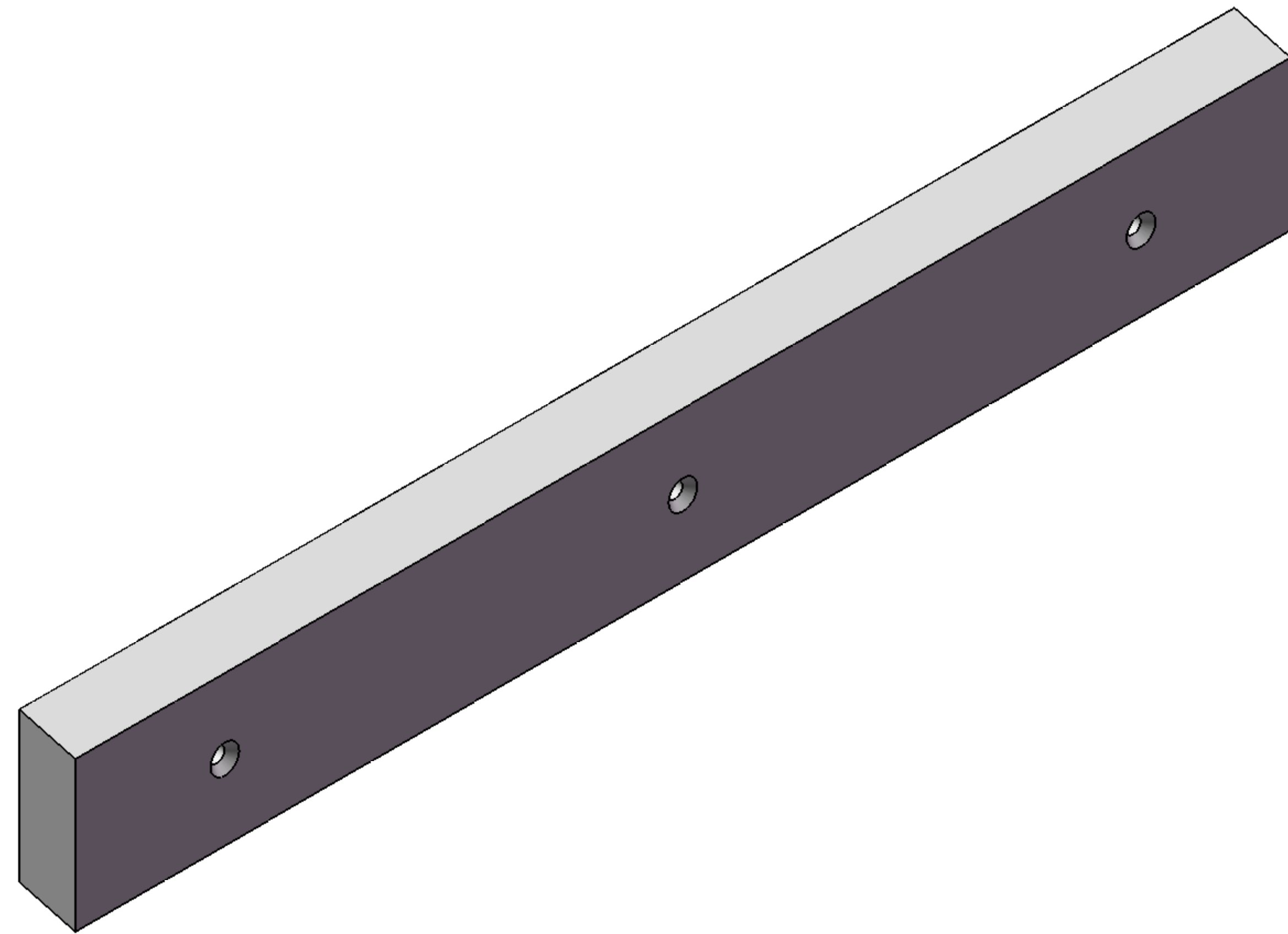


ITEM NO.	PART NUMBER	DESCRIPTION	QTY.
1	CLEAT HANDHOLD		1



DRAWN BY: JOHN GANTZ	DATE 1/30/2010	<b>GANTZ CUSTOM DESIGN</b>
<small>           PROPRIETARY AND CONFIDENTIAL            THE INFORMATION CONTAINED IN THIS DRAWING IS THE SOLE PROPERTY OF GANTZ CUSTOM DESIGN. ANY REPRODUCTION IN PART OR AS A WHOLE WITHOUT THE WRITTEN PERMISSION OF GANTZ CUSTOM DESIGN IS PROHIBITED.         </small>		
<small>           TITLE:            DWG. NO.            SCALE: NONE         </small>		<small>           REV            SHEET 1 OF 1         </small>

ZONE	REV.	DESCRIPTION	DATE	APPROVED
REVISIONS				